

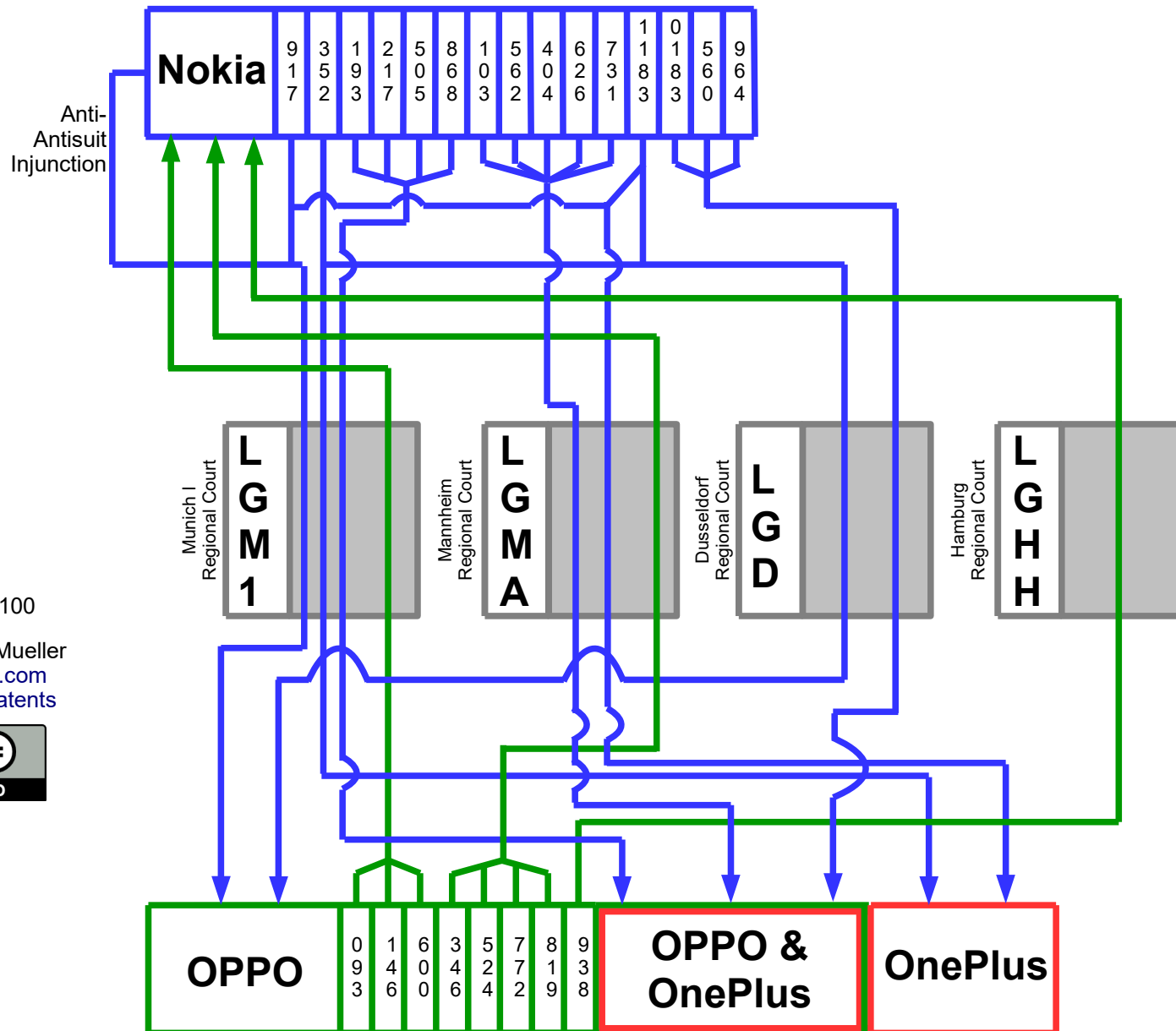
Nokia-
OPPO

The patent
battlefield
as of
02 Dec 22

Part 1:
Germany

version 22.12.02.100

© 2022 by Florian Mueller
www.foospatents.com
Twitter: @FOSSpatents



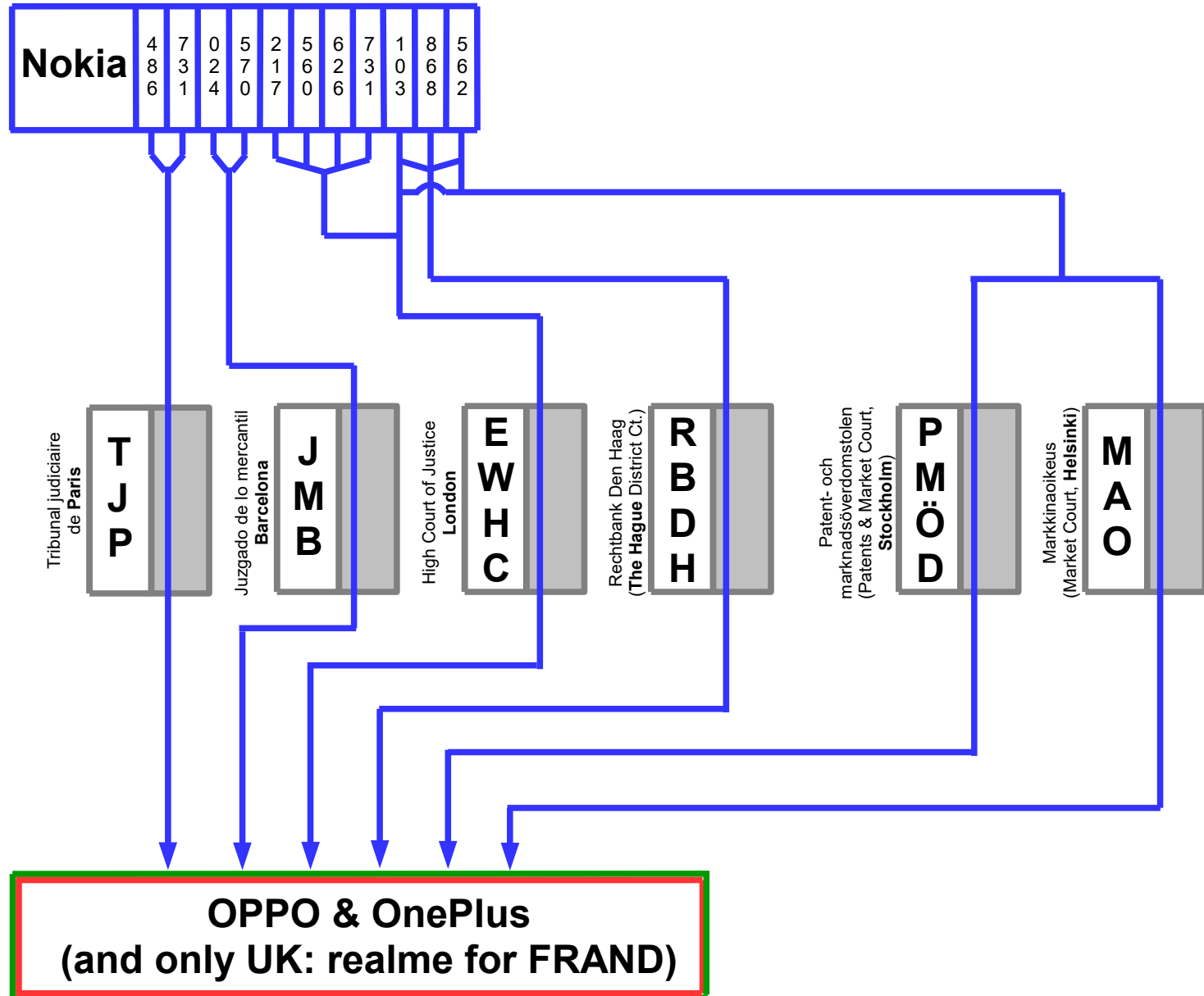
Nokia-
OPPO

The patent
battlefield
as of
02 Dec 22

Part 2:
Europe
other than
Germany

version 22.12.02.100

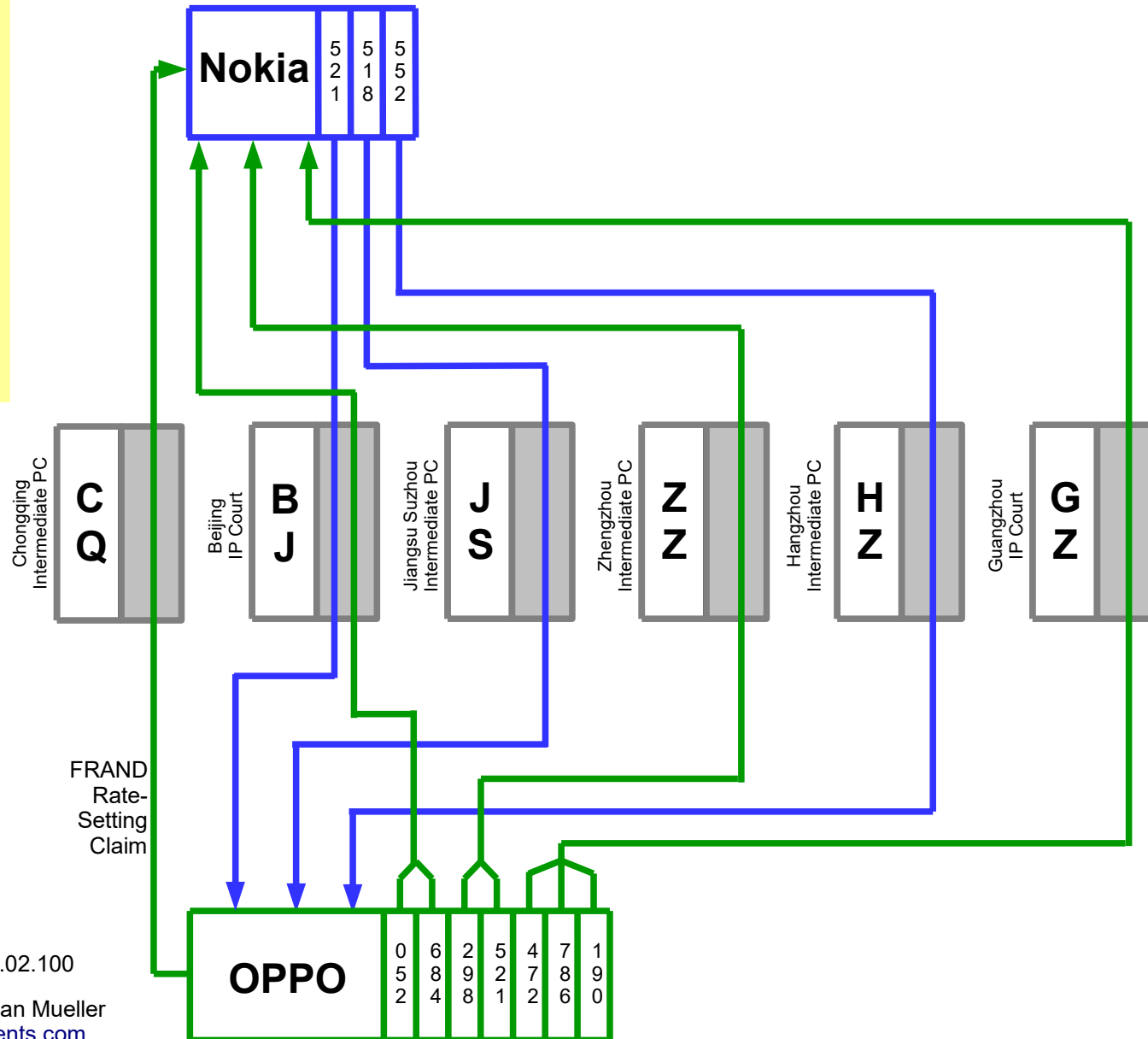
© 2022 by Florian Mueller
www.foospatents.com
Twitter: @FOSSpatents



Nokia-
OPPO

The patent
battlefield
as of
02 Dec 22

Part 3:
China



version 22.12.02.100

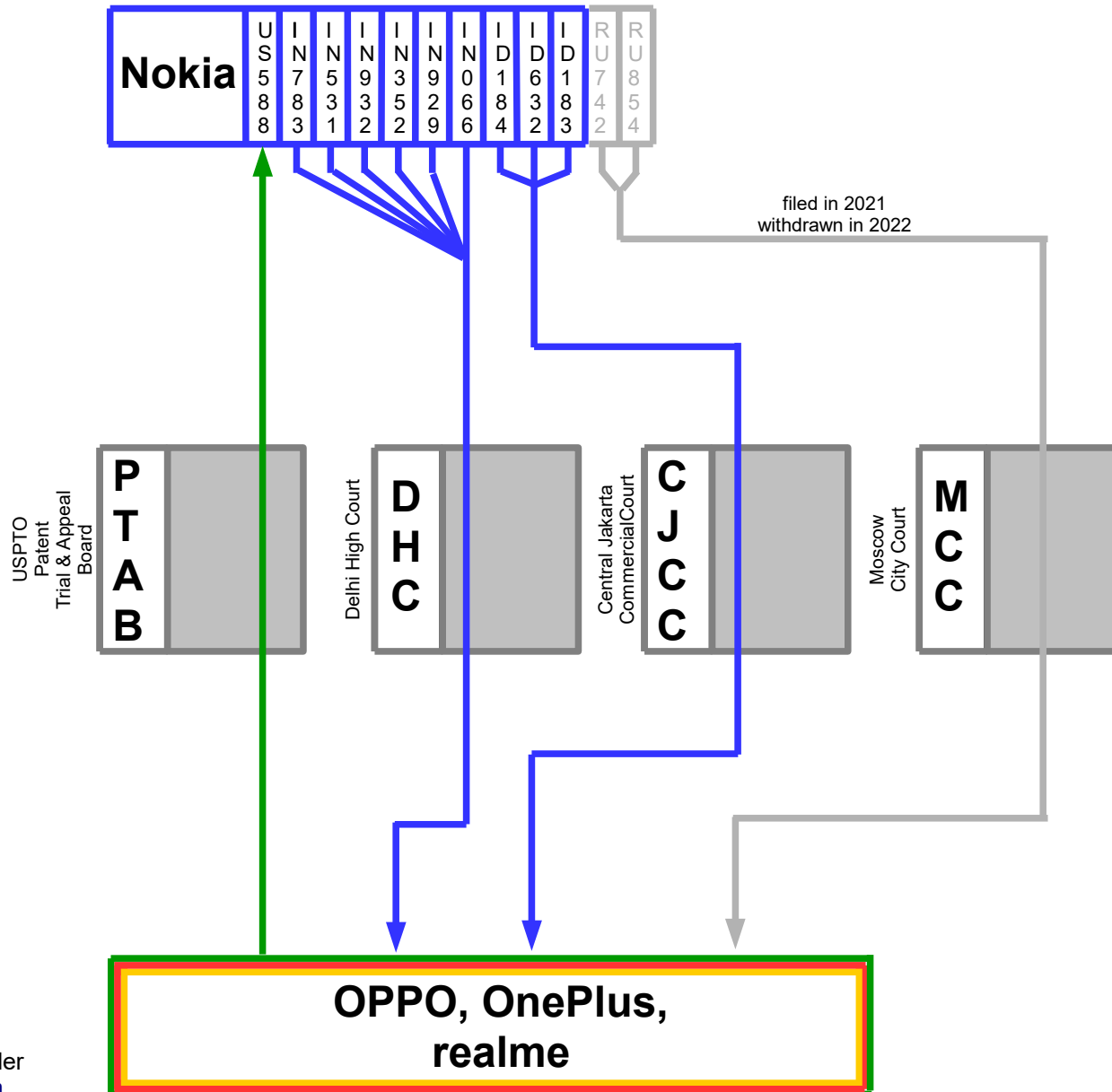
© 2022 by Florian Mueller
www.fosspatents.com
Twitter: @FOSSpatents



Nokia-
OPPO

The patent
battlefield
as of
02 Dec 22

Part 4:
Rest of the
World
(neither
Europe
nor China)



version 22.12.02.100

© 2022 by Florian Mueller
www.fosspatents.com
Twitter: @FOSSpatents

