

H. N. Walcott.

Tooth Brush.

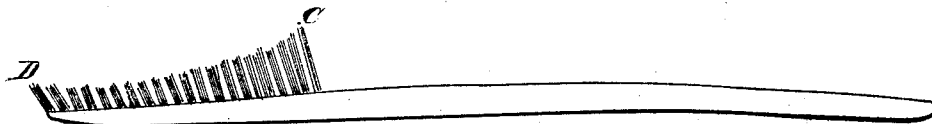
N^o 18,653.

Patented Nov. 17, 1857.

Fig. 1.



Fig. 2.



UNITED STATES PATENT OFFICE.

H. N. WADSWORTH, OF WASHINGTON, DISTRICT OF COLUMBIA.

TOOTH-BRUSH.

Specification of Letters Patent No. 18,653, dated November 17, 1857.

To all whom it may concern:

Be it known that I, H. NICHOLS WADSWORTH, of the city of Washington and District of Columbia, have invented a new and Improved Tooth-Brush; and I do hereby declare that the following is a full and exact description thereof, reference being had to the accompanying drawings of the same.

The nature of my invention consists in separating the bunches of bristles more than in the common brush, so as to give more elasticity and enable them to enter between the interstices of the teeth—having the brush wide that it may be imperative on the part of the patient to brush the gums thoroughly; the brush is partly circular from heel to point the more readily to fit the circle or arch formed by the teeth, and from side to side the bristles are a little concave the more readily to adapt themselves to the oval form of the teeth; toward the point the bristles are shorter and intended to project as far as possible beyond the end and at as acute an angle as possible, while the back of bone ivory or other material is thin and rounded off so as to occupy as little room as possible, and forming almost a projecting point of bristles, particularly intended to force its way far back in the mouth between the muscles of the cheeks, and jaws, and the back or molar teeth, and thoroughly free

them from impurities, and while it keeps the teeth in these places clean, and highly polished, it also keeps the gums healthy and vigorous. It is intended to be of three, four and five rows of bristles.

My invention embraces the following features to wit: 1st, the concave form of the surface of the bristles as represented from A to B Figure 1. 2d, the circular form of the surface of the bristles as represented from C to D in Fig. 2d. 3d, the projection of the bristles beyond the end of the brush as represented in Fig. 2d at letter D, and which projection improves the brush by being at a still greater acute angle with the back. 4th, the wedge-shaped back as represented in the drawings and described in the specification, for the purpose of allowing the brush to penetrate thoroughly under the muscles of the cheek and around the back or molar teeth.

Having thus described my invention what I claim as new and desire to secure by Letters Patent is—

A tooth brush having all the above described features combined and arranged as and for the purpose set forth.

H. NICHOLS WADSWORTH.

Witnesses:

S. J. COCKERILLE,
J. F. HARVEY.



US008108962B2

(12) **United States Patent**
Davidson et al.

(10) **Patent No.:** **US 8,108,962 B2**
(45) **Date of Patent:** **Feb. 7, 2012**

(54) **TOOTHBRUSH AND METHOD OF USING THE SAME**

(76) Inventors: **Michael Davidson**, Houston, TX (US);
Michael Smith, Friendswood, TX (US)

(*) Notice: Subject to any disclaimer, the term of this patent is extended or adjusted under 35 U.S.C. 154(b) by 706 days.

(21) Appl. No.: **12/220,286**

(22) Filed: **Jul. 23, 2008**

(65) **Prior Publication Data**

US 2009/0044360 A1 Feb. 19, 2009

Related U.S. Application Data

(60) Provisional application No. 60/961,572, filed on Jul. 23, 2007.

(51) **Int. Cl.**
A46B 11/02 (2006.01)

(52) **U.S. Cl.** **15/167.1**; 15/143.1; 15/22.1

(58) **Field of Classification Search** 15/22.1,
15/167.1, 143, 22.2, 201, 207.2

See application file for complete search history.

(56) **References Cited**

U.S. PATENT DOCUMENTS

4,847,936 A * 7/1989 Moglianesi et al. 15/167.1
5,072,477 A * 12/1991 Pai 15/22.1
5,546,626 A * 8/1996 Chung 15/167.1
5,749,381 A 5/1998 Butler et al.

6,030,215 A * 2/2000 Ellion et al. 433/89
6,202,241 B1 * 3/2001 Hassell et al. 15/22.1
6,332,233 B1 * 12/2001 Proulx 15/167.1
6,735,804 B2 * 5/2004 Carlucci et al. 15/28
6,766,824 B2 * 7/2004 Taylor 137/522
6,957,468 B2 * 10/2005 Driesen et al. 15/167.1
7,159,950 B2 * 1/2007 Young-Chul 300/21
7,293,318 B1 * 11/2007 Kuo 15/167.1
7,419,225 B2 * 9/2008 Fischer et al. 300/21
7,478,960 B2 * 1/2009 Glover 401/188 R
2002/0184719 A1 * 12/2002 Eliav et al. 15/22.1
2011/0057501 A1 * 3/2011 Chee et al. 300/21

* cited by examiner

Primary Examiner — Monica Carter

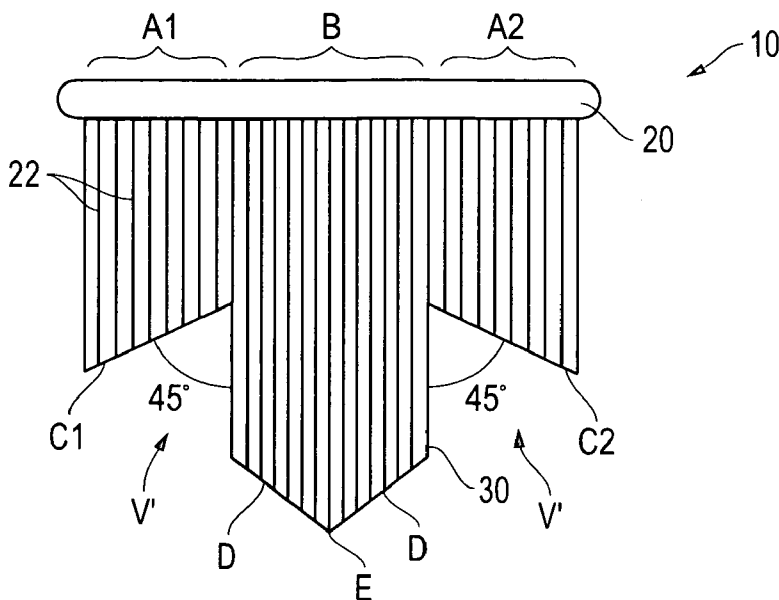
Assistant Examiner — Michael Jennings

(74) *Attorney, Agent, or Firm* — Alberto Q. Amatong, Jr.;
The Amatong Law Firm, PLLC

(57) **ABSTRACT**

A toothbrush is provided having an elongated handle and a brush head supported by the handle. The brush head has a base and a plurality of bristles that are arranged in sections. Each section has bristles that extend from the base to form a contact surface elevated from the base. One or more of the sections include bristles that extend to varying lengths from the base to form a contact surface that inclines or declines relative to the base. The sections of bristles further include a first outside section having a contact surface that declines inwardly, an inside section, adjacent the first outside section, having a contact surface that declines outwardly toward the first outside section, and a second outside section positioned adjacent an opposite side of the inside section from the first outside section. The second outside section has a contact surface that declines inwardly toward the inside section.

20 Claims, 9 Drawing Sheets



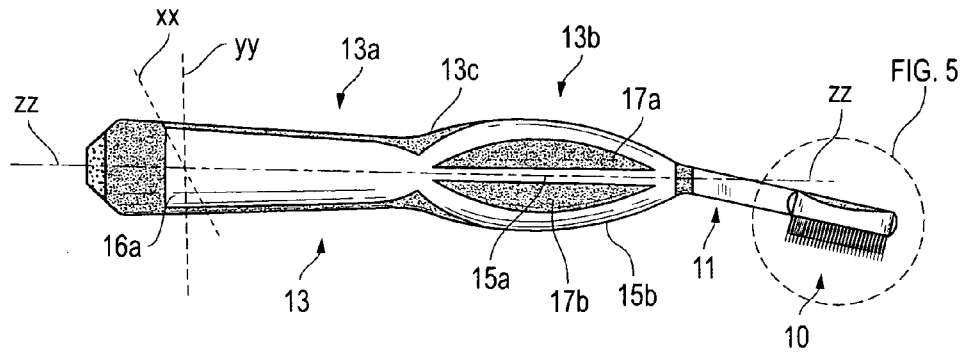


FIG. 1

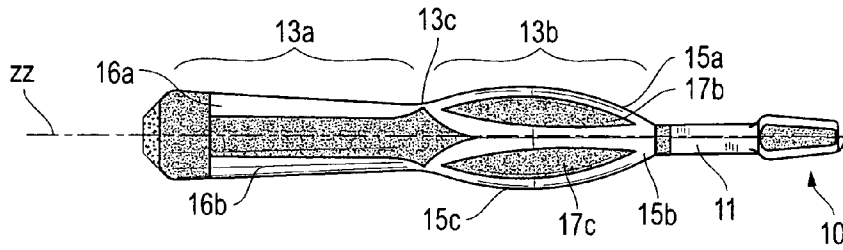


FIG. 2

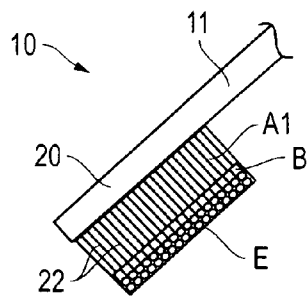


FIG. 3

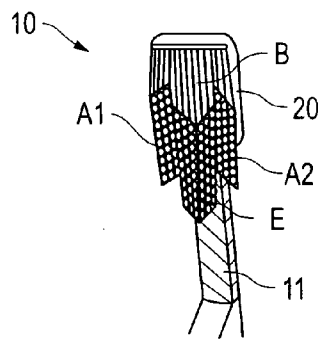


FIG. 3A

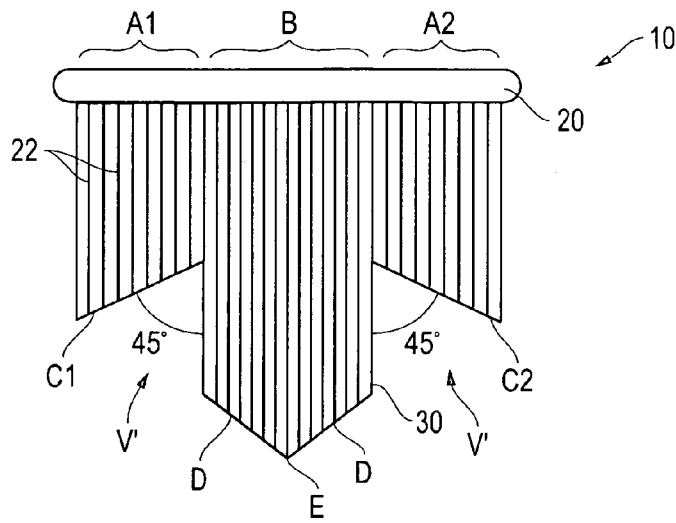


FIG. 3B

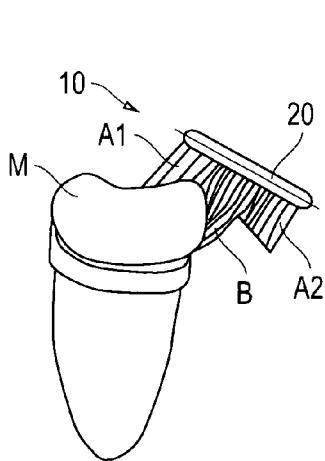


FIG. 4

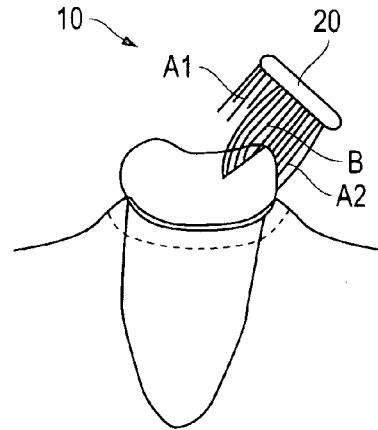


FIG. 4A

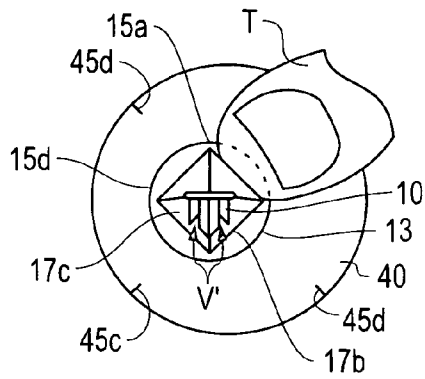


FIG. 5

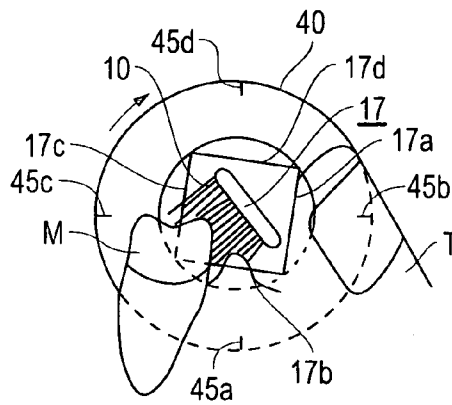


FIG. 5A

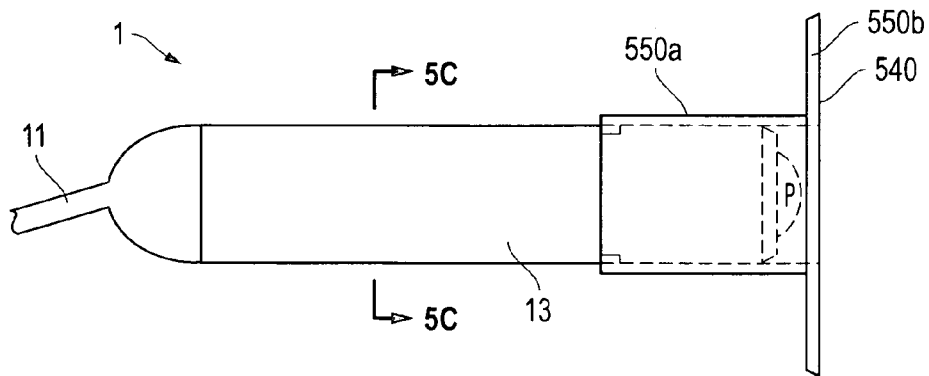


FIG. 5B

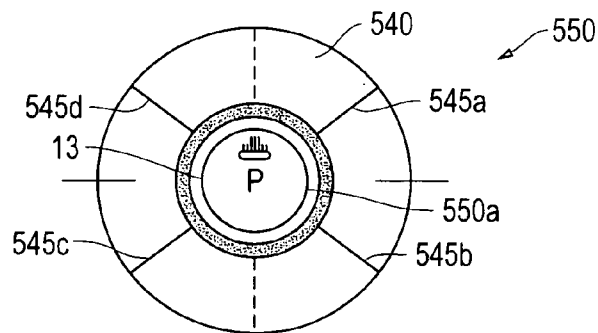


FIG. 5C

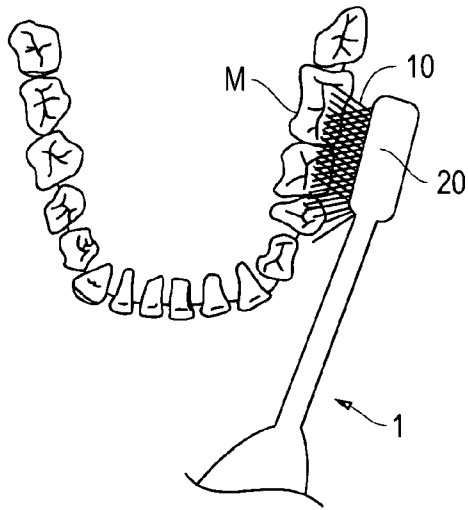


FIG. 6

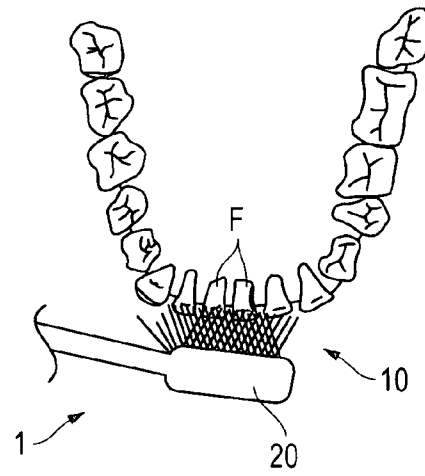


FIG. 7

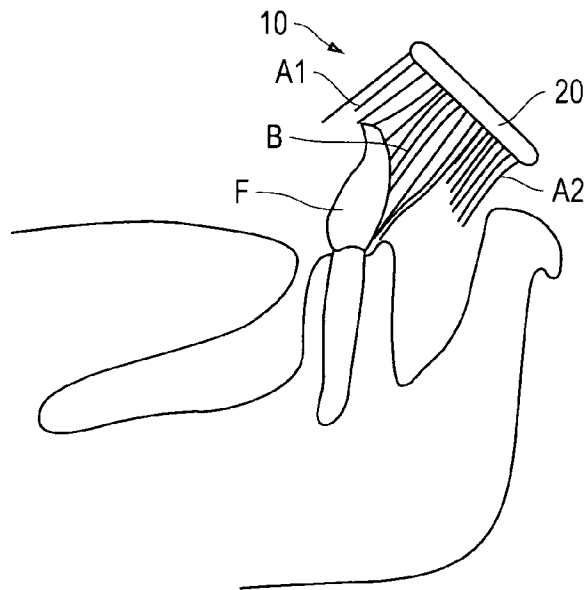


FIG. 8

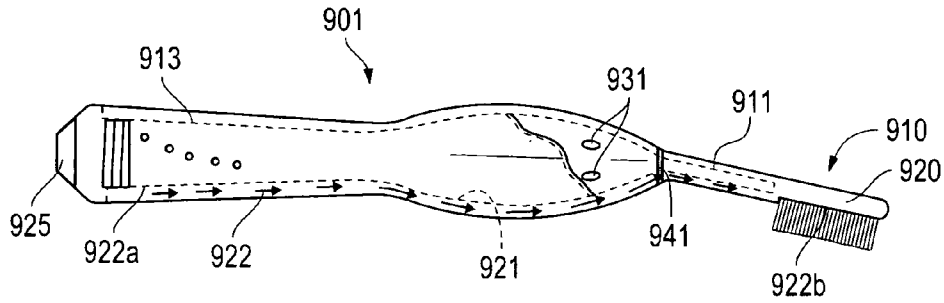


FIG. 9

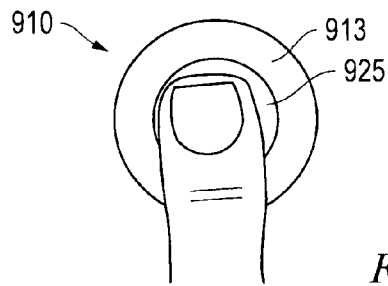


FIG. 10

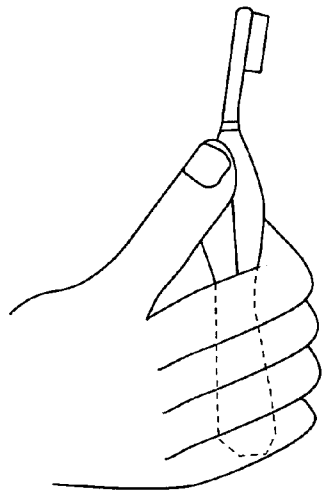


FIG. 11

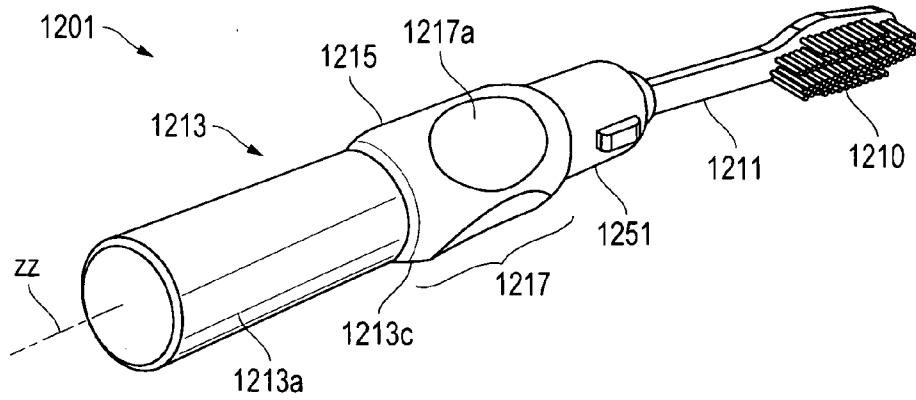


FIG. 12

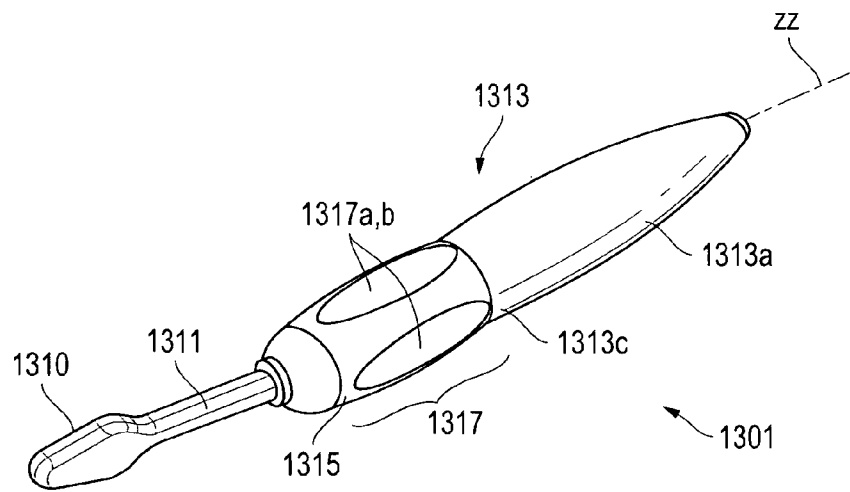


FIG. 13

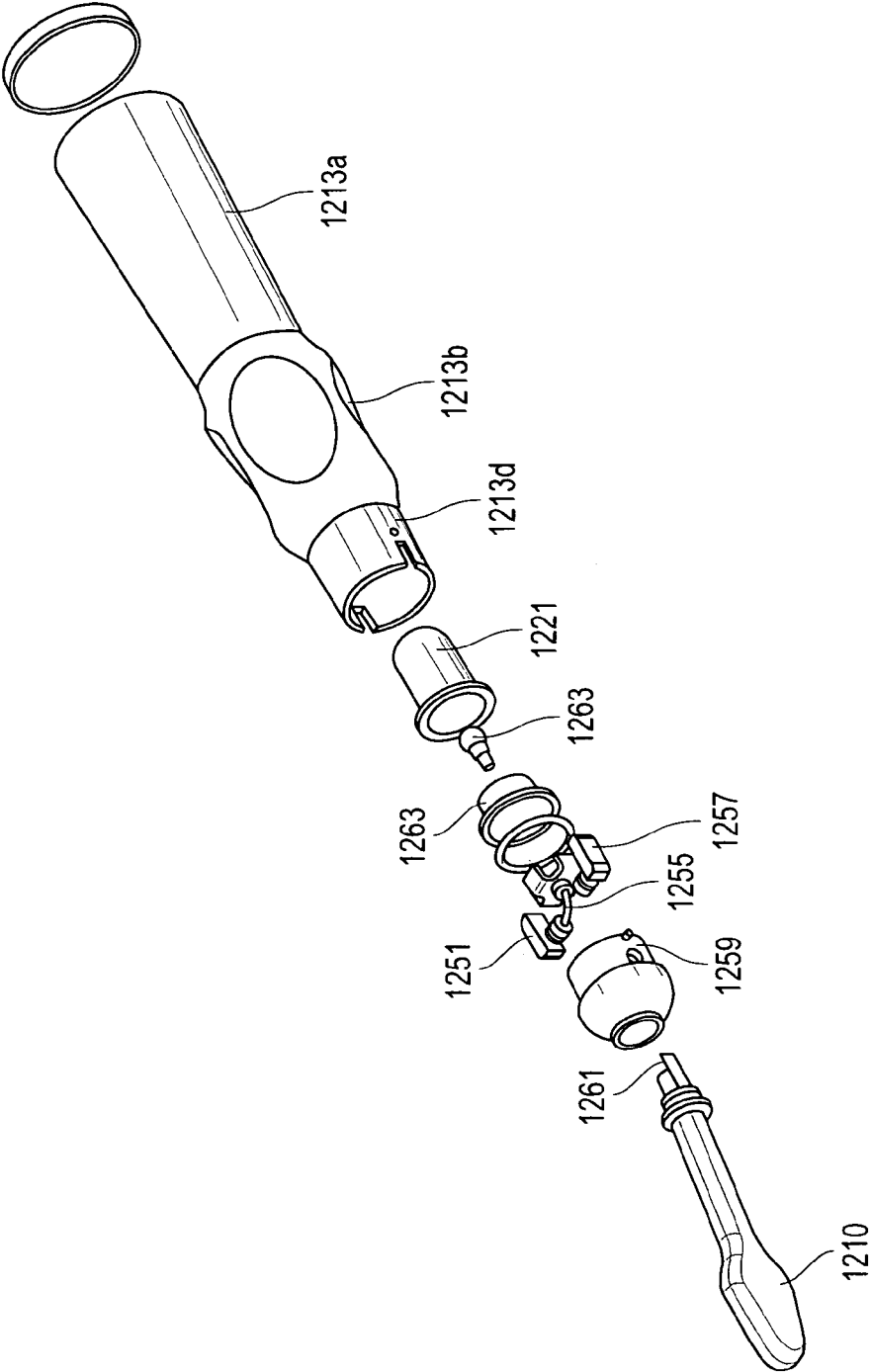


FIG. 12A

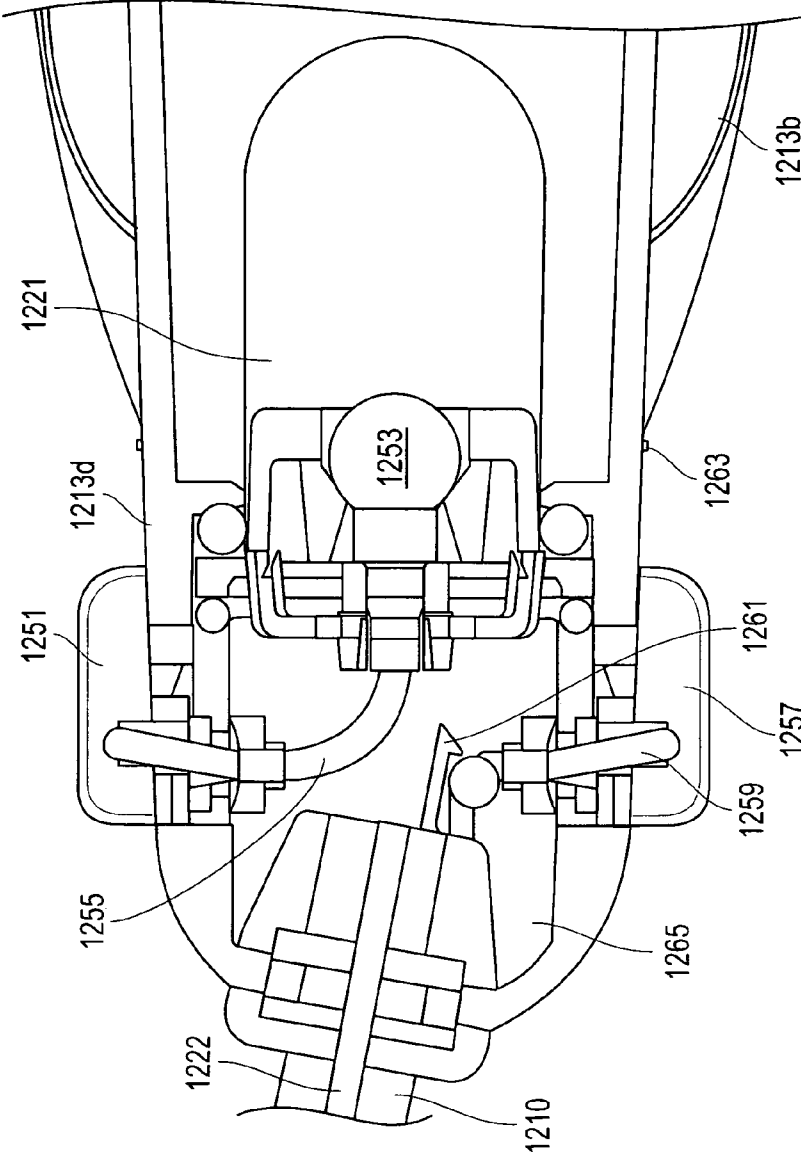


FIG. 12B

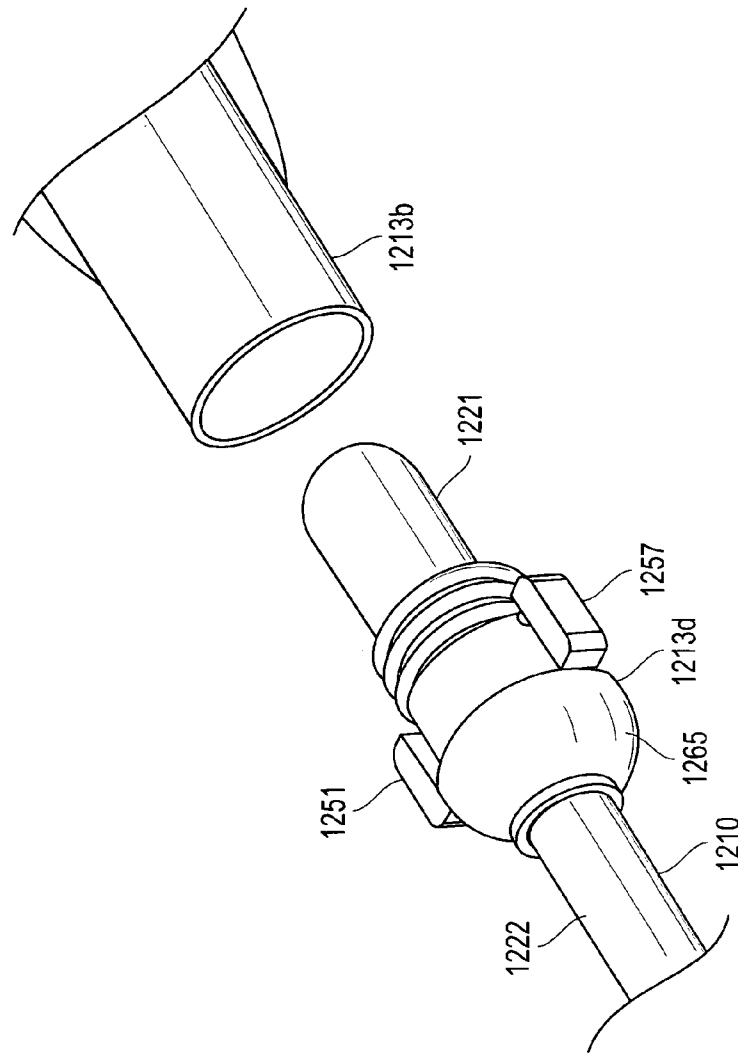


FIG. 12C

1

TOOTHBRUSH AND METHOD OF USING THE SAME

This application claims the benefit of the filing date of U.S. Provisional Application Ser. No. 60/961,572, filed on Jul. 23, 2007 (now pending). The above application is hereby incorporated by reference for all purposes and made a part of the present disclosure

BACKGROUND OF INVENTION

The present invention relates generally to toothbrushes, related methods of use, and accessories therefor and thereof.

A large number of toothbrush designs have been employed and commercialized. Some of these designs have focused on features that are relevant to cleaning and care of the gum areas as well as the teeth. Although some of these designs have proven generally effective, there remains a need for an improved toothbrush that is practical in design and employment, effective in general cleaning of the teeth, and also efficient in cleaning and caring for the gum areas surrounding the teeth. There is a further need for such a toothbrush that can address problem areas associated with gingivitis, particularly the cleaning of the gingival sulcus. Periodontitis may arise from gingivitis that initially forms in the gingival sulcus. Problem areas further include the lingual surfaces of the mandibular molars, and the buccal surfaces of the maxillary molars. The present invention addresses the need for toothbrushes that are particularly suited for addressing all of these areas, without sacrificing utility and effectiveness in cleaning the more common areas of the teeth.

SUMMARY OF INVENTION

In one aspect of the present invention, a toothbrush is provided having an elongated handle and a brush head supported by the handle. The brush head has a base and a plurality of bristles that are arranged in sections. Each section has bristles that extend from the base to form a contact surface elevated from the base. One or more of the sections include bristles that extend from the base to form a contact surface that inclines or declines relative to the base. The sections of bristles further include a first outside section having a contact surface that declines inwardly, an inside section, adjacent the first outside section, having a contact surface that declines outwardly toward the first outside section, and a second outside section positioned adjacent an opposite side of the inside section from the first outside section. The second outside section has a contact surface that declines inwardly toward the inside section. Preferably, the inside section(s) and outside section, and the contact surfaces thereon, are configured to engage the target tooth in a predetermined orientation.

BRIEF DESCRIPTION OF THE DRAWINGS

The accompanying drawings, which are incorporated in and constitute a part of the specification, illustrate embodiments of the invention, and together with the general description given above and the detailed description of the embodiments given below, serve to explain the principles of the invention.

FIG. 1 is a side view of a toothbrush according to the present invention;

FIG. 2 is a top view of the toothbrush in FIG. 1;

FIG. 3 is a detail view of a brush head of the toothbrush in FIG. 1;

FIG. 3A is a plan view of the brush head in FIG. 1;

2

FIG. 3B is a proximal end view of the brush head in FIG. 2;

FIG. 4 is an end view illustration of the brush head properly engaging a target tooth, according to the present invention;

FIG. 4A is an end view illustration of the brush head in FIG. 4 engaging the target tooth prior to adjustment;

FIG. 5 is a simplified proximal end view of a toothbrush illustrating a brush head orientation guide, according to the present invention;

FIG. 5A is a simplified illustration of the toothbrush in FIG. 5 engaging a target tooth while in a predetermined orientation after adjustment;

FIG. 5B is a partial side view of a toothbrush having an alternate brush head orientation guide, according to the present invention;

FIG. 5C is a cross-sectional end view of the toothbrush in FIG. 5B illustrating the brush head orientation guide at a position corresponding to an orientation of the brush head prior to proper adjustment relative to a target tooth;

FIG. 6 is a top perspective view of the toothbrush in FIG. 1 engaging a mandibular molar(s) according to the present invention;

FIG. 7 is a top perspective view of the toothbrush in FIG. 1 engaging a plurality of front teeth according to the present invention;

FIG. 8 is an end view from inside the user's mouth of the toothbrush in FIG. 7 engaging a target canine tooth in FIG. 6;

FIG. 9 is a side view cut-away of a toothbrush illustrating an antiseptic dispensing system according to the present invention;

FIG. 10 is a detail view of a thumb pump component of the antiseptic dispensing system in FIG. 9;

FIG. 11 is a simplified illustration of a "standard grip" as employed by a user of a toothbrush;

FIG. 12 is a perspective view of a toothbrush according to an alternate embodiment of the invention;

FIG. 12A is a reverse perspective and exploded view of the toothbrush in FIG. 12;

FIG. 12B is a detail, cross-sectional view, of a portion of the toothbrush in FIG. 12;

FIG. 12C is a detail illustration of a handle of the toothbrush in FIG. 12, wherein a forward section is disengaged from a main section of the handle of the toothbrush; and

FIG. 13 is a perspective view of a toothbrush in accordance with yet another alternate embodiment of the invention.

DETAILED DESCRIPTION OF THE INVENTION

The present invention relates generally to toothbrushes that are particularly suited for addressing problem areas associated with gingivitis. In one aspect of the invention, the toothbrush provides a brush head that is adapted to engaging a target tooth in a predetermined orientation. In particular, the inventive toothbrush and the brush head are configured to engage a tooth in accordance with the ADA approved modified bass technique.

FIGS. 1 and 2 depict a toothbrush 1 embodying preferred aspects of the present invention. FIGS. 3 and 4 depict preferred configurations of a brush head 10 as an advantageous component of the toothbrush 1. In this embodiment, the toothbrush 1 includes an elongated handle 13, an angled stem 11, and a brush head 10 connected to the handle 13 by way of the stem 11. For present purposes, the brush head 10 is described as being positioned at or near the proximal end of the toothbrush 1, while the handle 13 is described as extending to a distal end of the toothbrush 1. The stem 11 may be referred to as a component of the brush head 10 rather than a

separate component of the toothbrush **1**. Thus, the brush head **10** may be described as being connected (i.e., directly connected) to the handle **13**.

It should first be noted that various aspects of the present invention are described herein. These various aspects are particularly suited to, or for, a toothbrush of conventional usage. To illustrate the invention and preferred embodiments of the invention, much of the following detailed description is provided in the context of that toothbrush and such a toothbrush having multiple advantageous components, each of which represents a novel contribution to the art by the applicant. It is contemplated that various aspects of the inventive toothbrush, i.e., components thereof, may be applicable to other toothbrush designs and/or toothbrush accessories and/or combinations. For example, the preferred brush head configuration detailed below may be integrated with a toothbrush having a different handle design and/or a stem different from that depicted in the Figures. The detailed description and exemplary embodiments should not, therefore, be construed as limiting the invention to the structures, configurations, and methods described herein.

The top view of FIG. **2** is one that is revealed by rotating the toothbrush **1** in the side view of FIG. **1** a quarter turn or 90° about its center axis ZZ from its start position. For purposes of describing the operation of the toothbrush **1** according to the invention, center planes or centerlines XX, YY will be referred to be as being fixed imaginary reference planes having a common intersection or axis ZZ extending through the toothbrush **1** and about which the toothbrush **1** is rotated.

In a preferred embodiment, the stem **11** is positioned at an angle of about 10° from the generally linear handle **13**. As is generally known, the position of the stem **11** relative to the handle **13** facilitates placement of the brush head **10** in an advantageous position during use, particularly in accordance with an effective brushing method of the present invention. The handle **13** has a generally cylindrical shape that is balanced about a central axis ZZ, and further, about a lateral center plane XX and a vertical center plane YY. The curved and contoured shape of the handle **13** facilitates gripping and manipulation of the toothbrush **1**. As shown herein, the shape of the present inventive handle **13** also facilitates positioning and proper use of the brush head **10**.

It is noted that embodiments of the invention may or may not include a stem **11** or a cylindrically-shaped handle **13** as shown in FIGS. **1** and **2**, without departing from the invention. For example, in some embodiments, the brush head **10** may extend directly from the linear handle **13** and positioned about the centerline ZZ. In other embodiments, the brush head **10** may be integrated with a conventional straight and thin handle.

In accordance with the present invention, the handle **11** may be further divided into two sections—a palm grip section or palm grip **13a** extending immediately from the proximal end of the handle **13** and an intermediate section **13b**. Each of the handle sections **13a**, **13b**, has a generally curved contour that interface to provide an indented section or valley **13c**. The rounded grip **13a** and the valley interface **13c** generally provides a main grip and fulcrum during manipulation of the toothbrush **1**. In this preferred embodiment, the palm grip **13a** is formed from two halves **16a**, **16b** each having a generally convex surface or contour. This shape is particularly accommodating to the fingers and palm as the user grips the handle **913**.

As will be further discussed below, the specific shape of the handle **13** also functions as a guide and/or an indicator for positioning the brush head **10** to a predetermined position relative to a target tooth, according to the present invention. In

particular, the handle **13** provides, in one aspect of the invention, an indicating means or guide for proper positioning of the brush head **10** relative to a target tooth. More particularly, the handle **13** provides a means for guiding the brush head **10** to a predetermined orientation.

In this particular embodiment of the invention, the intermediate section **13b** is generally formed from an ovoid shaped portion of the handle **13**. In one respect, the ovoid portion has four separate cutouts or flat surfaces that provide, in this embodiment, thumb rests **17a**, **17b**, **17c**, **17d**. These flat surfaces **17a-17b** provide a convenient and effective surface upon which the thumb may apply pressure to the handle **13**, and correspondingly to a target tooth engaged by the brush head **10**. Accordingly, the section **13b** may also be referred to as the thumb press section **13b**.

As further illustrated by FIGS. **5** and **5A**, the flat surfaces **17a-17b** define a generally box-shaped mid-section **17** of the thumb press section **13b**. As shown in the simplified illustration of FIG. **5**, the “box” **17** is generally aligned 45° from the plane of the brush head **10**. The box also defines separate ridges or ribs **15a**, **15b**, **15c**, **15d** that are spaced apart by 90°. The ribs **15a-15d** serve as orientation indicators for the user during use of the toothbrush **1**.

Turning to FIG. **5**, a thumb T of a right hand of a user is shown resting on one of the thumb rests **17a** of the toothbrush **1**. In the orientation depicted by FIG. **5**, the toothbrush **1** and, more particularly, the brush head **10**, may be referred to as being in the initial or start position. The user applies a standard hand grip to manually grip the handle of the toothbrush. The user’s four fingers and palm are generally engaged about the palm grip **13a** while the user attempts to find the appropriate thumb rest **17a-17b** for the thumb T. In the orientation depicted in FIG. **5**, the user cannot accommodate the toothbrush **1** with a standard grip because the palm and fingers would be rotated exceedingly forward of a comfortable position for the hand. An attempt to adjust the grip to a comfortable position ultimately results in the user adjusting the orientation of the toothbrush **1**, resulting in the position and orientation of the brush head **10** as depicted in FIG. **5A**. In other words, adjustment of the handle **13** by the user to a comfortable position for the handle grip directly results in adjusting the orientation of the brush head to a secondary orientation. This secondary orientation is provided by design and thus, is referred to as a predetermined orientation of the toothbrush **1** and further, the brush head **10**. In an important aspect of the invention, the predetermined orientation corresponds to an optimal position of the brush head **10** relative to a target tooth.

Accordingly, FIG. **5A** illustrates the use of a standard grip by the user and the predetermined orientation of the toothbrush **1** and brush head **10** which accommodates that standard grip. In this predetermined orientation, the box has been rotated approximately 45° and is aligned vertically and laterally. At the same time, the brush head **10** has been rotated from a vertical orientation to the predetermined orientation (a span of about 45°). As will be described below, this predetermined orientation results in proper engagement of the brush head **10** with a target tooth.

It should be noted that, by design, the orientation depicted in FIG. **5A** is generally the only orientation that will accommodate the standard grip by the user manipulating the toothbrush **1**. Any other orientation, would not comfortably accommodate the user’s standard grip. In this respect, the box and thumb rest design of the inventive toothbrush functions as an operating guide to the user, directing the user to the corresponding proper orientation and position of the brush head **10** relative to a target tooth (i.e., a brush head orientation guide).

In this respect, the box **17** (including the ribs **17a-17d**) provided thereon, may be referred to as a brush head orientation guide means. Also, in the predetermined orientation of the toothbrush, the thumb is optimally positioned to apply pressure to the toothbrush **1** and correspondingly, to a target tooth engaged by the brush head **10**.

A "standard grip" is illustrated in FIG. **11**. This illustration shall serve as support for the meaning of a "standard grip" in the context of design and structural features of a toothbrush and/or brush head according to the invention. It should also be noted that the meaning and application of this term will be understood by one skilled in the relevant dental or consumer products art without explanation from herein.

In the embodiment illustrated in FIGS. **1** and **2**, the palm grip **13a** is approximately $3\frac{3}{4}$ " long and the thumb press **13b** is approximately $2\frac{3}{16}$ " long. The brush head **10**, including the stem **11** extends generally $2\frac{3}{16}$ " from the thumb press **13b**. Preferably, the stem **11** is positioned at an angle of about 30° from the lateral center line **XX** of the toothbrush **1** (in FIG. **1**).

Turning now to FIGS. **3**, **3A**, and **3B**, a brush head **10** is shown having multiple sections of bristles illustrated in accordance with a primary aspect of the invention. FIGS. **3A**, **3B**, and **3C** are simplified illustrations provided to facilitate description of a preferred embodiment and should not be construed in any way to limit the invention. As best shown in FIGS. **3A** and **3B**, the preferred brush head **10** includes three distinct sections or arrangement of bristles: an outside section **A1**, an inside section **B**, and a second outside section **A2** adjacent a side of inside section **B** opposite of the outside section **A1**. As generally known in the art, the brush head **10** is comprised of a population of bristles that are clumped or grouped together in tufts **22**. The brush head provides a base or platform **20** from which the bristles and the tufts **22** extend outwardly and generally perpendicularly to the base **20** (see e.g., end view of FIG. **3B**). The bristles and the tufts **22** may be implanted or attached to the base **20** in a variety of suitable methods known in the art. Each of the bristle sections **A1**, **B**, **A2** is formed by a plurality of generally equally spaced apart tufts **22**. Each tuft **22** is further formed by bristles of a substantially common length. Each tuft **22** (and each bristle in the tuft **22**) extends from the base **20** to a free or exposed end. Together with adjacent tufts **22**, these exposed ends begin to form an exposed surface. The exposed surface is referred to herein as a "contact surface" because it is intended for directly contacting and engaging the target tooth. As used herein, a "contact surface" is provided by a collection of free ends of bristles that extend generally perpendicularly from the base, whether in groups of tufts or individually. Furthermore, as used herein, the contact surface and the free ends of the bristles are referred to as being "elevated" from the base **20**, which means simply that there is a measurable separation (depth, height, or width) from the base **20**.

In one arrangement of tufts **22**, the tufts **22** in each section are generally aligned to form a row, as illustrated in FIGS. **3A** and **3B**. The rows of tufts **22** in this embodiment are generally provided by bristles having generally the same length. Thus, the tufts **22** along a row extend from the base **20** to a common elevation (relative to the base **20**). Referring to FIG. **3B**, the elevation of the rows in sections **A1**, **A2**, in this particular embodiment, gradually declines with each successive row in a direction toward the center of the base **20** (inwardly direction). In this manner, the rows or tufts **22** form a contact surface **C1** and **C2** that declines inwardly toward the inside section **B**.

The inside section **B** further consists of tufts **22** and further, rows of tufts that are distinct from those of the outside sections **A1**, **A2**. The inside section **B** consists of tufts that extend

outwardly to form a contact surface **D** that, in one embodiment, is separate and disjointed from the outside contact surfaces **C1** and **C2**. In the preferred embodiment, the elevation of the contact surface **D** also varies across the inside section **B**, and does not provide a single planar surface. The contact surface **D** is actually two separate but congruent planar surfaces. Simply, the tufts **22** are taller with each successive row toward the center. As a result, two surfaces meet at a middle ridge **E**. The contact surface **D** is also referred to as declining outwardly from the ridge **E** toward each of the outside sections **A1** and **A2**.

Moreover, because the tufts **22** of the inside section **B** are generally longer or taller than those of the outside sections **A1**, **A2**, the contact surface **D** is elevated above the outside contact surfaces **C1**, **C2**. In this embodiment, a side wall **30** of the inside section **B** is exposed and juxtapositioned with the outside sections **A1**, **A2** and the contact surfaces **C1**, **C2**, thereon. Referring to FIG. **3B**, the juxtapositioning of the sidewall **30** with the contact surfaces **C1**, **C2**, provides a V-shape space or profile, **V'** (simply, "V-space **V'**") that becomes particularly functional during use of the toothbrush **10**. Preferably, the V-space **V** spans up to approximately 45° .

In an alternative embodiment of the brush head **10** as best illustrated in FIGS. **5** and **5A**, the contact surfaces **C1**, **C2**, does terminate or meet with the inside contact surfaces **D**. In these embodiments, the inside section **B** does not provide an exposed sidewall **30**. Contact surfaces **C1**, **C2**, and **D** have a common low point or lowest elevation. Accordingly, the V-space **V** provided by this alternative brush head **10** is defined by the profiles of the inside contact surface **D** and the outside contact surface **C1** or **C2** and the adjacent contact surface **D**.

In further embodiments, the contact surfaces **C1**, **C2**, and **D** may have a smoother, more rounded profiles. The interface between the contact surfaces may also be more gradually, with less of an abrupt angle. Such a brush head configuration would still provide an advantageous V-space, in accordance with the present invention.

Furthermore, the bristles or tufts **22** of the outside sections **A1**, **A2** may be made stiffer than the bristles or tufts **22** of the inside section **B**. This difference in stiffness may be accomplished by varying the length or width of the respective bristles, using different materials, and/or employing other means generally known in the art.

More preferably, the bristles of the inside section **B** is provided a color different from the colors of the bristles of the outside sections **A1**, **A2**. For example, the bristles of the inside sections, or at least the contact surfaces **D** of the outside section, may be provided in red, while the bristles or contact surfaces **C1**, **C2**, of the outside sections are provided in white. As will be further described below, these color and stiffness distinctions provide functional advantages and yet another brush head orientation guide according to the present invention. Some of these functional advantages may be evident in the illustrations of FIGS. **4** and **6-8**, and the descriptions provided below.

Generally, the physical and geometrical configuration of the inside and outside sections, particularly the relative positioning of the respective contact surfaces, are adapted for engaging a target tooth, such as a mandibular molar. More specifically, the multi-section brush head configuration is configured to engage the target tooth in a predetermined manner. This predetermined manner, or more specifically, predetermined position or orientation, functions as a guide and then, as an indicator to the user of proper position of the brush head during brushing. More specifically, the brush head, through its multiple sections and contact surfaces, is

configured to engage the target tooth in a particularly suitable orientation of the brush head. In accordance with the invention, the brush head configuration corresponds with the profile of the target tooth in a manner and orientation that is particularly effective in brushing and caring of the tooth and gum areas. In particular, the physical configuration of the brush head, while in the predetermined orientation positions the inside section and more particularly, the ridge, to penetrate the gingival sulcus.

Now turning to FIG. 4, the brush head **10** according to the present invention is shown positioned at the predetermined orientation. In this respect, the brush head **10** is shown in its proper or predetermined orientation, relative to the target tooth M, which in this case is a mandibular molar. In this predetermined orientation, the V-space V of the brush head **10** accommodates the top curvature and dual surfaces of the mandibular molar M. The outside contact surface A1 is placed against a gingival side of the target tooth M, when the v-space accommodates the target mandibular molar. In correspondence, the contact surface D of the inside section is placed against an occlusal surface of the molar M, while the bristles proximate the ridge E of the inside section D penetrates the gingival sulcus. Meanwhile, the shorter bristles of the outside section A1 scour the tooth's occlusal or biting surface. In this way, the brush head **10** is used more effectively to clean and care for the mandibular molar M and the surrounding gum areas.

Because of the geometric configuration of the brush head **10**, particularly the provision of the V-space V, the predetermined orientation shown in FIG. 4 is readily recognized by touch to the user. As illustrated in FIG. 4, the v-space corresponds with the corner and curvature of the mandibular molar, thereby wedging or locking the v-space and the brush head against the molar—in the proper orientation.

To illustrate further, FIG. 4A depicts a brush head **10** improperly positioned relative to the target tooth M. In this position, the inside section A1, A2 of the brush head **10** is not engaging and penetrating the gingival sulcus. To further contrast, the brush head **10** is generally resting atop the tooth M by way of thumb pressure, but not engaging the tooth M. The brush head **10** is tentatively engaging the tooth M and easily slips off the tooth's surface. By rotating and/or adjusting the brush head **10** until it engages and locks on to the profile of the tooth M, the brush head **10** is brought to the predetermined orientation relative to the target tooth M, as shown in FIG. 4.

In the preferred embodiment, the bristles of the inside sections are longer than those of the outside sections so as to more easily penetrate the gingival sulcus. In this manner, the bristles in the inside section also more effectively brushes against the generally vertical side wall of the molar. The brush head **10** is applied to the mandibular molar and the adjacent gingival sulcus. The bristles are advantageously positioned for cleaning the tooth's occlusal surface **31** and under the adjacent gingival sulcus **32**.

To further aid and guide the user, the toothbrush **1** is provided another means for guiding the brush head **10** to the predetermined orientation to the user. By distinguishing the colors of the outside section and the inside section, the user can observe how close the brush head **10** is to the predetermined orientation. In the predetermined orientation, the white color of the bristles of the outside section A1, A2 will be well separated and independent of the red bristles of the inside section C. Thus, if the user observes meshing and mixing of different colors, rather than separation, that becomes an indication to the user that the orientation of the brush head **10** must be adjusted. The user may make several adjustments as

required to create the color separation, and thus positioning the brush head **10** in the proper and predetermined orientation.

To further illustrate, in FIG. 4A, the colors of the inside section is mixed in and meshes with the colors of the outside section. In contrast, FIG. 4 clearly shows separation between the colors of the bristles of the inside section from the colors of the bristles of the outside section A1. In this respect, color arrangement of the brush head **10** may be characterized as providing a visual means for guiding the brush head **10** into the predetermined orientation (i.e., a visual or observable brush head orientation guide).

FIG. 6 further illustrates the predetermined position and orientation of the brush head relative to a target mandibular tooth. From the top view, only the color of the brushes of the outside section A1, A2 is readily evident.

Turning now to FIGS. 7 and 8, the toothbrush **1** according to the invention, is shown used for brushing the front teeth F. In FIG. 8, the brush head **10** is shown properly engaging a canine tooth F. In the proper orientation, the color brushes of the inside section again A1 properly engages the gingival side of the canine tooth F, while the bristles approximate the ridge E of the inside section B effectively penetrates the gingival sulcus. At the same time, the contact surface C1, C2 of the outside section A1, A2 engages the top of the canine tooth.

In a further aspect of the present invention, a preferred embodiment of the toothbrush **1** includes yet another means for indicating or guiding the user to proper orientation of the brush head relative to a target tooth (brush head orientation guide). In this embodiment, the inventive toothbrush **1** provides yet another readily observable guide for the user. Returning to FIG. 5, the end profile of the toothbrush **1** provides a ring **40** that is directly observable to the user. The brush head orientation ring **40** also includes indicator lines **45a**, **45b**, **45c**, **45d**. In the flat or initial position of the toothbrush as depicted in FIG. 5, the lines **45a-45d** are at the 45° positions of the ring **40**. In FIG. 5A, the toothbrush **1** has been rotated to place the brush head **10** in the predetermined orientation. In this view, the brush head **10** is at an orientation corresponding to that shown in FIG. 4. At this predetermined orientation, the indicator lines **45a-45d** have been rotated to align with the horizontal and lateral centerlines. This alignment, and the rotation required to arrive in alignment, are readily observable by the user. Thus, the user can rotate and adjust the toothbrush **1** (and the brush head **10**) until the indicator lines **45** align with the centerlines XX, YY, thereby indicating placement of the brush head **10** in the predetermined orientation.

It will become apparent that a user of the inventive toothbrush will most likely use the V-space V and/or the box **17** to first physically guide the brush head **10** to the proper orientation and then, check secondary means to confirm such placement. In this context, the color distinction provided by the bristles of the brush head **10** and the orientation ring function as secondary means of guiding the brush head to the predetermined orientation.

It should be noted that in illustrations and discussions provided herein, the indicator lines **45**, as well as the span of the V-space V have been provided at approximately 45°. It should be noted that the v-space may be adjusted to another skewed angle different from 45°. In these case, the angular spacing of the indicator lines will vary accordingly.

Referring to the side view of a partial toothbrush **510** in FIG. 5A, an alternative indicator means **540** is shown as a separate component. The indicator means **550** is provided in the form of a cap having a hollow tube **550a** and an angulation ring **540**. By way of the tube **550a**, the indicator means **550**

may be fitted about the distal end of a handle **13** of a toothbrush **1**. The tube **550a** would be readily removed from the handle **13**, as required by the user. The angulation ring **540** is similar to that previously described in respect to FIGS. **5** and **5A** in that the ring **540** is an indicator to the user of the orientation of the brush head **10** relative to a target tooth. This particular embodiment does provide additional benefit in that the orientation guide **540** also functions as a stand for the toothbrush **1**. In this way, the user may rest the toothbrush **1** on a surface using the guide **540** as a base.

Referring now to FIG. **9**, an alternative embodiment of the invention is provided in the form of toothbrush **901**. The toothbrush **901** includes an elongated handle **913**, a brush head **910**, and an angled stem **911** connecting the brush head **910** to the handle **913**. It should be noted that this embodiment of the invention may, in further embodiments, employ one or more of the features previously illustrated and described in respect to FIGS. **1-8**. Among these, of course, are a multi-sectioned brush head **910** and/or a multi-colored brush head and/or one or more of the brush head orientation guides previously described.

The inventive toothbrush **901** includes a pneumatic, manually-operable fluid dispensing system to assist proper brushing and cleansing of a target tooth. The fluid dispensing system preferably stores and dispenses an antiseptic mouthwash to assist in the cleaning of the gum areas of target teeth. The fluid dispensing system includes a reservoir **921** preferably formed within a hollowed handle **913**. The fluid dispensing system further includes a conduit **922** fluidly communicating antiseptic from the reservoir **921** to the brush head **910**. The conduit **922** is preferably a polymeric tube having an inlet **922a** communicating with a distal region of the reservoir **921** and an outlet(s) **922b** provided in the base **920** of the brush head **910**. The outlet **922b** may be further included with a tube extension that facilitates dispensing of the antiseptic through the multi-sectioned brush head **910** and onto the target tooth and, more particularly, the surrounding gum areas. As shown in FIG. **9**, the conduit **922** also extends through the length of the handle **913** and the stem **911** before arriving at the brush head **910**. In alternative embodiments, the conduit **922** may be directed substantially inside of the reservoir **921**.

The fluid dispensing system further includes a pump **925** located on the distal end of the handle **913**. The pump **925** is also equipped with a one-way check valve. As further illustrated in FIG. **10**, the pump provides a deformable bulb that may be thumb-operated to increase the pressure in the reservoir **921** by adding air volume. As generally known in the art, the integrated one-way valve also prevents escape of fluid and air from the reservoir. The distal end of the handle **913** is preferably provided with a removal plug or threaded cap in which the pump **925** is integrated. In this way, the plug may be removed to provide access to the reservoir **921**. Furthermore, o-rings may be placed about and adjacent the plug or cap to seal the reservoir. An additional o-ring is preferably placed in and about a threaded or plug connection **941** between the handle **931** and a removable stem **911** to effectively seal the reservoir at the proximal end.

The fluid dispensing system further includes a manually operable valve **931** for controlling release of antiseptic from a pressurized reservoir **921** and directing the antiseptic via the conduit **922** to the brush head **910**. The valve **931** may be any suitable valve means, but preferably, a pinch valve having a bulb actuator. The valve **931** is preferably located between the brush head **10** and the distal end of the handle **913**, i.e., in the thumb grip section **913b**, so as to accommodate the normal placement of the user's thumb during brushing. In this way, the valve **931** may be easily thumb operated (i.e., a thumb

valve **931**). Moreover, the valve **931** is preferably engageable with the conduit **922** to restrict or allow fluid flow there-through. It should be noted also that during brushing, the handle and reservoir will be tilted slightly such that the distal end of the handle **913** will be lower from the area of the valve **931**. In further embodiments, the fluid dispensing system is integrated with handle designs such as those depicted in FIGS. **2-4**. In these embodiments, the thumb valve is advantageously located on the appropriate thumb rest **17a-17d**, thereby facilitating integration of the dispensing operation with the positioning of the brush head **910**.

Accordingly, the fluid dispensing system embodies a manually-operable valve **931** the operation of which is facilitated by the design and shape of the handle and the inclusion of key components. By placing the inlet **922a** near the distal end, positive liquid head may be created by vertically positioning the toothbrush **90**. Additional head may be created by operation of the thumb-pump **925**.

It is contemplated that a preferred toothbrush **1** according to the invention will include a fluid dispensing system as illustrated in FIGS. **9** and **10**, a brush head configuration as illustrated in FIGS. **3** and/or **4**, or one more brush head orientation guides as illustrated in FIGS. **1-8** and described previously. During normal use of the toothbrush **1**, a user may employ the V-space **V** and the box **17** to properly orient the brush head **10** relative to a target tooth. To further confirm proper orientation, the user may also use the color distinctions between the sections of the brush head **10** as a visual guide means, and/or an angulation ring **40**. After proper adjustment, the brush head **10** may be employed to brush the target tooth in accordance with the ADA approved modified bass technique.

During such brushing, the user may operate the valve **931** to dispense and antiseptic mouthwash from the toothbrush through the base **920** of the brush head **10** and into the gingival sulcus. In this manner, the sulcus may be flushed with antiseptic, while the gum areas (and the tooth) may be mechanically cleaned with a particularly advantageous brush head and bristle, and contact surfaces thereof.

Thus, in a further aspect of the invention a toothbrush is provided with an integrated fluid dispensing system. An antiseptic mouthwash is stored in the reservoir for use during a secondary brushing session and for flushing the gingival sulcus, thereby killing more bacteria than brushing alone. The use of the inventive pneumatic-operated dispensing system with the inventive brush head ensures that the sulcus is properly deflected from the target tooth and allows the antiseptic mouthwash to flush the sulcus. This allows for a reduction of the number of inflammatory causing bacteria. When an individual rinses only with a mouthwash, the sulcus is not deflected laterally away from the tooth. Consequently, bacteria located in the lower $\frac{1}{3}$ of the sulcus may not be removed. By deflecting the sulcus (through application of the inventive brush head), and then, flushing the area with antiseptic, more bacteria may be removed. A brushing procedure utilizing the invention should be employed as follows: (a) brush with toothpaste two minutes; (b) rinse; (c) brush with the brush head positioned in the predetermined orientation for forty-five seconds and periodically employing an antiseptic flush; and (d) floss.

Referring now to FIG. **12**, a toothbrush **1201** is depicted in accordance with an alternative embodiment of the invention, wherein like elements are referenced by like reference numerals. Like the toothbrushes in previous embodiments, the toothbrush **1201** includes a brush head **1210**, a stem **1211**, and an elongated handle **1213** into which the stem **1211** is removably secured. The elongated handle **1213** may be further

11

divided into a palm grip section **1213a**, an intermediate or thumb press section **1213b**, and a valley interface **1213c** therebetween. The palm grip section **1213a** in this embodiment is generally symmetric and cylindrical. The intermediate or thumb press section **1213b** includes a thumb press box **1217** having a series of ridges **1215a-1215d**, and concavely shaped thumb presses or surfaces **1217a-1217d**. The concave presses **1217a-1217d** provide a convenient and effective surface upon which the thumb may apply pressure to the handle **1213**, and correspondingly to a target tooth engaged by the brush head **1210**, in a similar manner as described previously. As also similarly described previously, the “box” **1217** is generally aligned 45 degrees from the plane of the brush head **1210**. The ridges **1215a-1215d** may serve as orientation indicators for the user during use of the toothbrush **1201**. Notably, the box **1217** in this embodiment does not extend to the proximal end of handle **1213**, and instead stops short, thereby defining a forward section **1213d** positioned between the box **1217** and the stem **1210**.

As in previous embodiments, the handle **1213** is preferably generally hollow so as to contain internal components of the toothbrush **1201**, and more particularly, components of a manually and user-operable fluid dispensing system of the toothbrush FIG. 12A provides an exploded view of the toothbrush **1201**, further revealing the internal components of a fluid dispensing system generally situated within the thumb press section **1213b** and forward section **1213d** of the handle **1213**. FIG. 12B provides a further detailed illustration of the components of the fluid dispensing system according to this embodiment. The primary components of the fluid dispensing system are generally situated within the hollow of the forward section **1213d**, and within the hollow of, at least, the front or forward portion of thumb press section **1213b**. The fluid dispensing system includes an inflatable bladder **1221** that functions as a reservoir of the desired fluid, e.g., antiseptic. In FIG. 12B, the bladder **1221** is shown in a partially inflated state. In a fully inflated state, the bladder **1221** according to various embodiments may fill a substantially larger portion of the hollow of the handle **1213**.

The fluid dispensing system further includes a ball valve **1253** shown seated to block a primary port **1263** of the bladder **1221**. The port **1263** communicates the bladder **1221** with a sealed forward container **1265** of the reservoir. The sealed container **1265** is substantially smaller than the inflated bladder **1221** and is generally defined by the inside surface of the forward section **1213d** and the base of stem **1211**.

FIG. 12C illustrates a preferred feature of the toothbrush **1201**. The container **1265** and forward section **1213d** of the handle **1213** are designed and fitted to removably detach from the rest of the handle **1213**. In this embodiment, the bladder **1221** is secured to the container **1265** (thereby maintaining the sealed reservoir) and is movable therewith. The container **1265** and the bladder **1221** together provides a pressurized reservoir of antiseptic that is situated to fluidly communicate with a conduit **1222** that leads to the brush head **1210**, as described previously.

The ball valve **1253** is mechanically connected with a rigid member or line **1255** that is directed outwardly from the center of the container **1265** and through the outside surface of the forward section **1213d** (i.e., at the handle **1213**). As shown in FIG. 12B, the distal end of the rigid line **1255** is situated in a recess that is covered by a button **1251** is positioned on the outside of the forward section **1213d** and may be depressed to move the rigid line **1255**. Upon engagement and depression by the user, the button **1251** moves the rigid line **1255** to unseat valve **1253**. As a result, the port **1263** is opened, thereby communicating antiseptic into and pres-

12

surizing the container **1265**, and then further, fluidly communicating with conduit **1222**. By releasing button **1251**, the rigid line moves and reseats ball valve **1253** to block the port **1263**. Thus, the button **1251** and the rigid line **1255** attached therewith provide a user-operable mechanism or means for operating the fluid dispensing system of the toothbrush while the toothbrush **1201** is in brushing mode. Furthermore, the mechanism or means (including button **1251**) is provided at a location on the handle **1213** so as to be readily accessible and manually-operable simultaneous with the user's operation of the handle **1213**.

FIG. 12B also illustrates a stem release system of this embodiment of the invention. This stem release system includes a button **1257** (also accessible at the handle) that may be depressed to move a lever **1259**. The lever **1259** is a rigid, elongated member having a turned end section. The turned end section of lever **1259** engages an extended latch **1261** that is connected with the stem **1211**. By depressing button **1257**, the lever **1259** disengages the latch **1261**, which disengages stem **1211** and allows stem **1211** to be removed from the handle **1213**. In further embodiments, the stem **1211** may be removed to reveal an opening into which a bottle of antiseptic may be engaged. In this manner, the bottle of antiseptic may be used (i.e., by squeezing) to refill the bladder **1221**, and, at the same time, pressurize the fluid dispensing system.

In further embodiments, the forward section **1213d** may be eliminated by extending the thumb press section **1213b** substantially to the proximal end of the handle. In this way, the sealed container **1265** is located within the thumb press section **1213b**. Furthermore, the buttons **1251**, **1257** may be located underneath the thumb press section **1213b**, preferably at a position forward of the thumb press surfaces **1217a-1217d**.

Referring now to FIG. 13, a toothbrush **1301** is depicted in accordance with yet another embodiment of the invention, wherein like elements are indicated by like reference numerals. The toothbrush **1301** employs a handle **1313** that is generally more curved than the handles in previously described embodiments. In comparison to previous embodiments, the handle exhibits a more ergonomic approach. The handle **1313** fits firmly in the palm of the hand and the thumb press section **1312** allows for ergonomic placement of the thumb in one of the four flat areas on **1312**. In a preferred embodiment, the fluid release button is located on the crest between flats **1317a** and **1317b**. A secondary button serving the same purpose may also be located 180 degrees from this button on the opposite side, thereby allowing two positions from which to dispense antiseptic. The toothbrush **1313** also provides for buttons similar in function as the buttons **1251**, **1257** in FIG. 12. In this embodiment, the buttons (not shown) are located in the thumb press section **1315** of the toothbrush **1301**. The buttons (not shown) are preferably located just forward of the thumb press surfaces (e.g., thumb press surface **1317a** and **1317c**), such that the buttons may be readily accessed and operated by the user.

The foregoing description of the present invention has been presented for purposes of illustration and description of preferred embodiments. It is to be noted that this description is not intended to limit the invention to the various systems, apparatus, structures, and methods disclosed herein. Various aspects of the invention, as described above, may be applicable to other types of toothbrushes and in combination with other toothbrush components. For example, the fluid dispensing systems may be incorporated in other toothbrushes having a different brush head design. Conversely, the brush head configuration illustrated in FIGS. 1-8 may be changed, without departing from the spirit of the invention. Furthermore,

13

the brush head configuration may be employed with other toothbrush components different from that described in the preferred embodiments. Such variations of the invention will become apparent to one skilled in the relevant consumer products or dental, upon provision of the present disclosure. Consequently, variations and modifications commensurate with the above teachings, and the skill and knowledge of the relevant art, are within the scope of the present invention. The embodiments described and illustrated herein are further intended to explain the best and preferred modes for practicing the invention, and to enable others skilled in the art to utilize the invention and other embodiments and with various modifications required by the particular applications or uses of the present invention.

What is claimed is:

1. A toothbrush comprising:
 - an elongated handle; and
 - a brush head supported by the handle and extending generally longitudinally from a first end proximate the handle, the brush head having a base, a longitudinal centerplane extending vertically through the base, and a plurality of bristles, wherein the plurality of bristles are arranged in sections, each section having bristles that extend vertically from the base to form a contact surface elevated from the base, said contact surfaces being discontinuous from one another and together forming a multi-level contact surface of the brush head;
 - wherein the sections of bristles include,
 - a first outside section extending generally longitudinally atop the base to define a contact surface that declines inwardly from an outside side edge toward the longitudinal centerplane and to an inside side edge,
 - a second outside section extending generally longitudinally atop the base to define a contact surface that declines inwardly from an outside side edge toward the longitudinal centerplane and an inside side edge, and
 - an inside section extending generally longitudinally atop the base and having a central contact surface elevated above the base and above the inside side edges of the outside sections, such that the inside section reveals a pair of exposed vertical sidewall disposed between each inside side edge and the center contact surface, the contact surface of each inside section and each exposed vertical sidewall forming a generally v-shape cross-section.
2. The toothbrush of claim 1, wherein the bristles of the contact surface of the inside section are taller than the bristles of the contact surface of the outside sections.
3. The method of claim 2, wherein the inside section has at least two contact surfaces, including a first contact surface that declines outwardly toward the contact surface of the first outside section and a second contact surface that declines outwardly toward the contact surface of the second outside section.
4. The toothbrush of claim 3, wherein the inside and outside sections, and contact surfaces thereon, are configured such that the brush head is positionable to a predetermined orientation relative to a target tooth, wherein a contact surface of an inside section is placed against a gingival side of a target tooth as the adjacent contact surface of an outside section is placed against an occlusal surface of the target tooth.
5. The toothbrush of claim 4, wherein the generally v-shape cross section has a skewed angle less than 90°.
6. The toothbrush of claim 4, wherein the first and second contact surfaces of the inside section interface to form a longitudinally extending ridge of bristles, the ridge being

14

adapted to penetrating a gingival sulcus at a position corresponding to the predetermined orientation.

7. The tooth brush of claim 4, wherein the bristles of the inside section has a first color and the bristles of one of the outside sections has a second color distinct from the first color, and wherein the bristles of the outside sections are shorter than the bristles of the inside section.

8. The toothbrush of claim 4, wherein the handle further includes a brush head orientation guide responsive to the positioning of the brush head such that the brush head is positionable to a predetermined orientation that corresponds with a predetermined orientation of the guide, and wherein the guide includes a box about a body of the handle alignable to an orientation corresponding to the predetermined orientation of the brush head.

9. The toothbrush of claim 8, further comprising a ring positioned about the handle and having indicators thereon indicative of the orientation of the brush head, the ring being detachable from the handle.

10. A toothbrush comprising:
 - an elongated handle;
 - a brush head supported by the handle, the brush head having a base, a longitudinal centerplane extending vertically through the base, and a plurality of bristles extending vertically from the base to form a multi-level contact surface of the brush head elevated above the base,
 - wherein the plurality of bristles are arranged in sections including a first outside section extending vertically from the base to define a first outside contact surface section of the multi-level contact surface, a second outside section extending vertically from the base to define a second outside contact surface section of the multi-level contact surface, and an inside section positioned centrally about the longitudinal centerplane and extending vertically from the base to define a central contact surface section of the multi-level contact surface of the brush head; and
 - a brush head orientation guide for indicating predetermined positioning of the brush head relative to a target tooth, the guide including a brush head lateral profile formed by the outside contact surface sections and the inside section of bristles, wherein each outside contact surface section declines inwardly toward an inside side edge proximate the inside section and the center contact surface section declines laterally outwardly, from a ridge of bristles, toward each of the outside contact surface sections, the center contact surface being elevated above the inside edges to form a generally v-shape profile of the brush head profile for simultaneously engaging the occlusal and gingival surfaces of a target tooth, as the ridge of the center contact surface engages the gingival succus of the target tooth; and wherein the inside section reveals a pair of exposed vertical side walls disposed between each inside side edge and the center contact surface, the contact surface of each inside section and each exposed vertical sidewall forming a generally v-shape cross-section.

11. The toothbrush of claim 10, wherein each of the contact surface sections are discontinuous from other contact surface sections and disposed at an elevation and incline or decline distinct from the other contact surfaces sections.

12. The toothbrush of claim 10, wherein the center contact surface section extends above each of the outside contact surfaces to expose a vertical side wall juxtapositioned to each of the outside contact surfaces sections to form the generally v-shaped profile therewith.

15

13. The toothbrush of claim 10, further comprising a user-observable second brush head orientation guide.

14. The toothbrush of claim 13, wherein the second brush head orientation guide include bristles of the inside section having a first color and bristles of the outside sections having a color distinct from the first color.

15. The toothbrush of claim 14, wherein the observable second guide includes a handle having indicators thereabout the orientation of which corresponds to the orientation of the brush head.

16. The toothbrush of claim 15, wherein the observable second guide includes a generally box shaped section of the handle having thumb rests thereon.

17. The toothbrush of claim 10, further comprising a second brush head orientation guide on the handle responsive to positioning of the brush head, the guide including a box having a thumb rest thereon for accommodating the thumb in standard grip, the thumb rest being positionable to a predetermined thumb rest orientation corresponding to a predetermined orientation of the brush head.

18. A toothbrush comprising:
an elongated handle;

a generally longitudinally extending brush head supported by the handle, the brush head having a base, a longitudinal center plane extending vertically through the base, and a plurality of bristles extending vertically from the base to form a multi-level contact surface elevated above the base and centered about the longitudinal centerplane, the plurality of bristles being arranged to form a first outside section of bristles extending vertically from the base to define a first surface section of the multi-level contact surface, a second outside section of bristles spaced laterally from the first outside section and extending vertically from the base to define a second surface section of the multi-level contact surface, and an inside section of bristles extending vertically from the base to define a center surface section of the multi-level contact surface, wherein the surface sections of the multi-level contact surface are discontinuous from one another and each of the first and second surface sections

16

is bounded by a pair of generally longitudinally extending side edges including an inside edge laterally proximate the inside section of bristles and a far side edge spaced laterally outwardly from the inside side edge, wherein the center surface section of the multi-level contact surface is positioned laterally intermediate the first and second surface sections but elevated above each inside side edge such that a vertical side wall of the inside section is exposed between each inside side edge and the center contact surface section, and wherein the inside section of bristles is positioned about the longitudinal center plane and the outside sections are spaced laterally therefrom such that one outside section is disposed on each side of the longitudinal centerplane; and

a brush head orientation guide for indicating predetermined positioning of the brush head relative to a target tooth, the guide including a lateral brush head profile including a pair of generally v-shape cross sections each defined by one of the vertical side walls of the inside section and the first or second surface section adjacent the vertical side wall, the first or second surface section declining inwardly toward the vertical side wall such that the v-shaped profile has an angle that is substantially less than 90 degrees.

19. The toothbrush of claim 18, further comprising:
a second brush head orientation guide for indicating the predetermined positioning of the brush head relative to a target tooth, the second brush head orientation guide including a box-shaped lateral profile positioned about a body of the handle and alignable to an orientation corresponding to the predetermined orientation of the brush head.

20. The toothbrush of claim 18, further comprising a second brush head orientation guide for indicating the predetermined positioning of the brush head relative to a target tooth, the second brush head orientation guide including a ring positioned about the handle and having indicators thereon indicative of the orientation of the brush head.

* * * * *

UNITED STATES PATENT AND TRADEMARK OFFICE
CERTIFICATE OF CORRECTION

PATENT NO. : 8,108,962 B2
APPLICATION NO. : 12/220286
DATED : February 7, 2012
INVENTOR(S) : Davidson et al.

Page 1 of 1

It is certified that error appears in the above-identified patent and that said Letters Patent is hereby corrected as shown below:

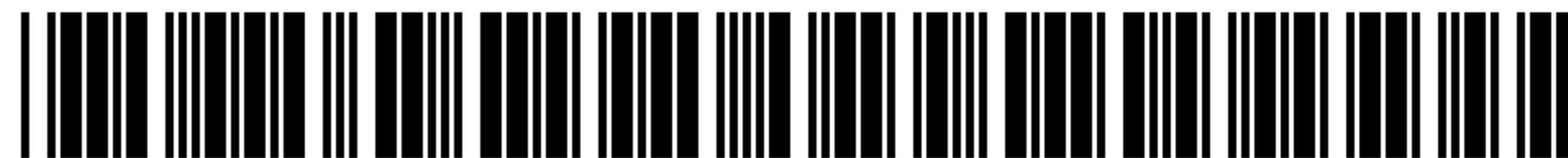
Claim 3, Column 13, line 53, delete “seconds” and insert -- second --.

Claim 11, Column 14, line 62, delete “surfaces” and insert -- surface --.

Signed and Sealed this
Twenty-seventh Day of March, 2012

A handwritten signature in black ink that reads "David J. Kappos". The signature is written in a cursive style with a large, stylized 'D' and 'K'.

David J. Kappos
Director of the United States Patent and Trademark Office



US008328451B1

(12) **United States Patent**
Atkin

(10) **Patent No.:** **US 8,328,451 B1**
(45) **Date of Patent:** ***Dec. 11, 2012**

(54) **DEHYDRATED DENTIFRICE AND TOOTHBRUSH**

(76) Inventor: **Joshua D Atkin**, Beaver creek, OH (US)

(*) Notice: Subject to any disclaimer, the term of this patent is extended or adjusted under 35 U.S.C. 154(b) by 0 days.

This patent is subject to a terminal disclaimer.

(21) Appl. No.: **13/052,692**

(22) Filed: **Mar. 21, 2011**

Related U.S. Application Data

(63) Continuation of application No. 12/501,857, filed on Jul. 13, 2009, now Pat. No. 7,931,418, which is a continuation of application No. 11/818,316, filed on Jun. 14, 2007, now Pat. No. 7,575,387.

(60) Provisional application No. 60/813,383, filed on Jun. 14, 2006.

(51) **Int. Cl.**
A46B 11/00 (2006.01)

(52) **U.S. Cl.** **401/268; 401/132**

(58) **Field of Classification Search** **401/118, 401/119, 123, 268, 270, 132**

See application file for complete search history.

(56) **References Cited**

U.S. PATENT DOCUMENTS

1,995,374 A	3/1935	Young
2,043,898 A	6/1936	Malcolm
2,263,982 A	11/1941	Wolcott
2,307,493 A	1/1943	Davidson
2,778,045 A	1/1957	Bly et al.
4,503,871 A	3/1985	Mendenhall
4,963,046 A	10/1990	Eguchi
5,065,470 A	11/1991	Diamond
5,655,249 A	8/1997	Li
5,888,010 A	3/1999	Laux
6,004,059 A	12/1999	Zaccaria
6,715,952 B1	4/2004	Aiken
6,845,883 B2	1/2005	Pieri
7,331,731 B2	2/2008	Hohlbein et al.

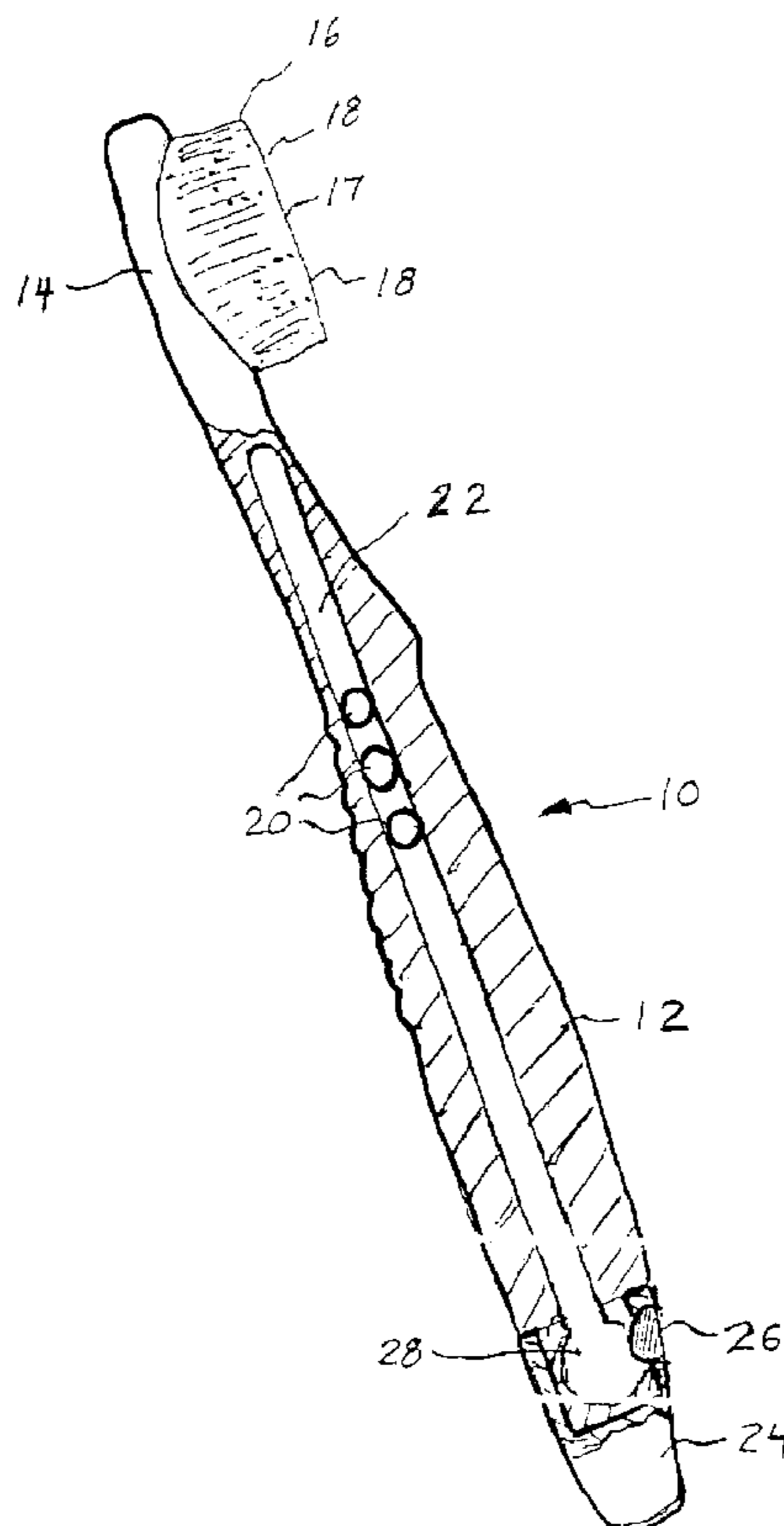
Primary Examiner — David Walczak

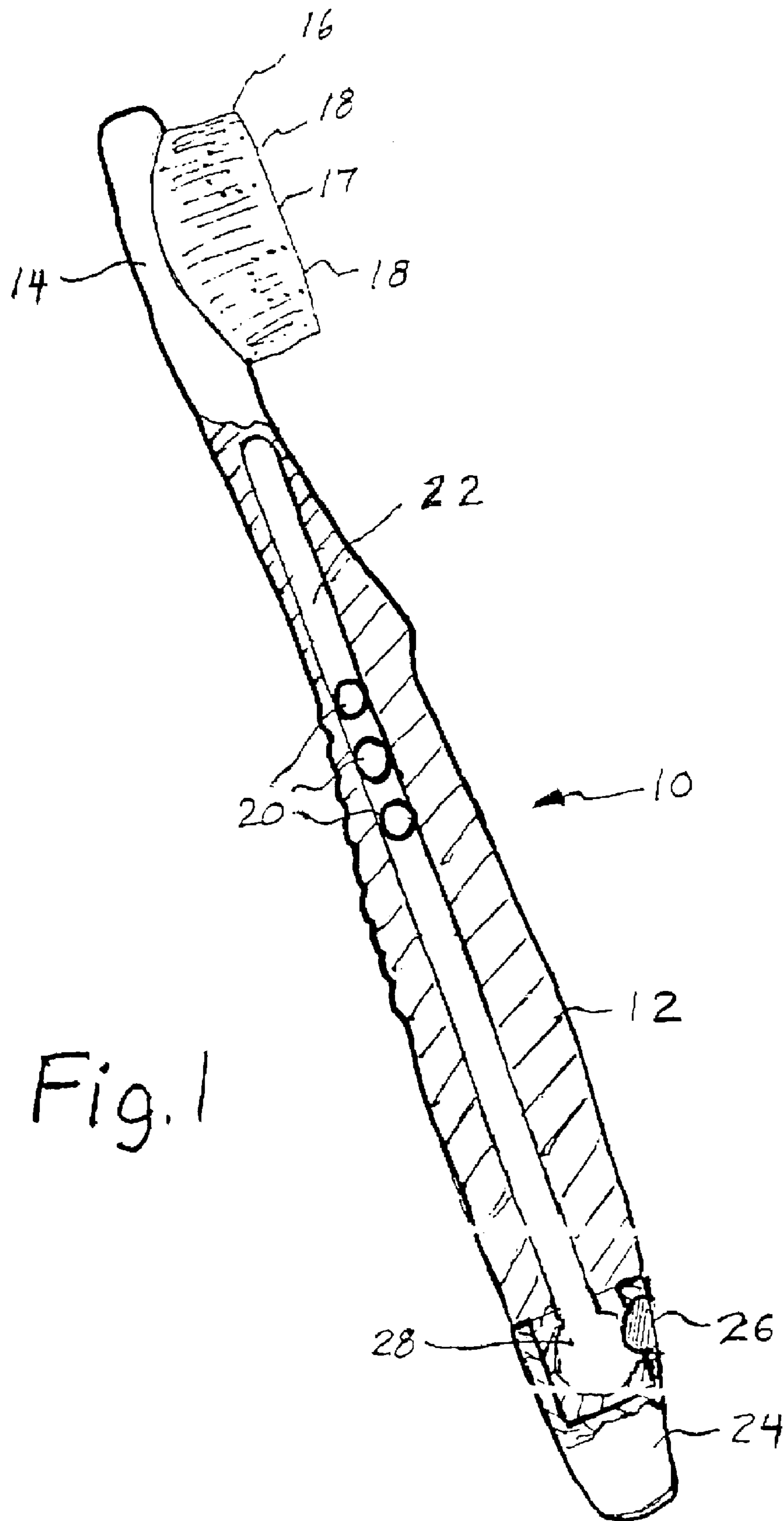
(74) *Attorney, Agent, or Firm* — Curatolo Sidoti Co., LPA; Salvatore A. Sidoti; Julie D. Hawk

(57) **ABSTRACT**

A toothbrush has one or two part-spherical pockets formed in the brush surface. Balls or pellets of matching shape of dehydrated toothpaste are placed in the depressions, the brush is wetted and the pellets turn to a gel, ready for brushing. The pellets may be of various colors and flavors to entice children to brush their teeth and may be dispensed from a storage chamber carried in the tooth brush handle.

13 Claims, 3 Drawing Sheets





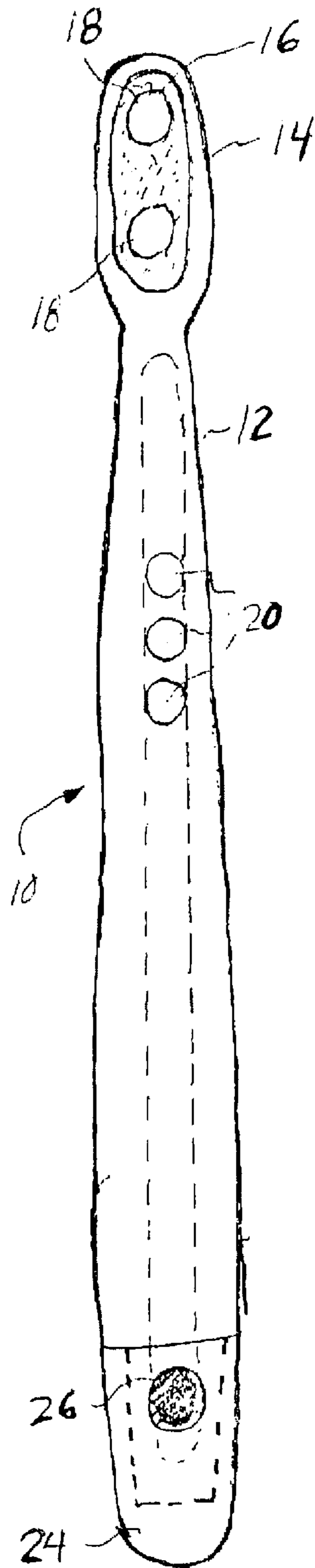


Fig. 2

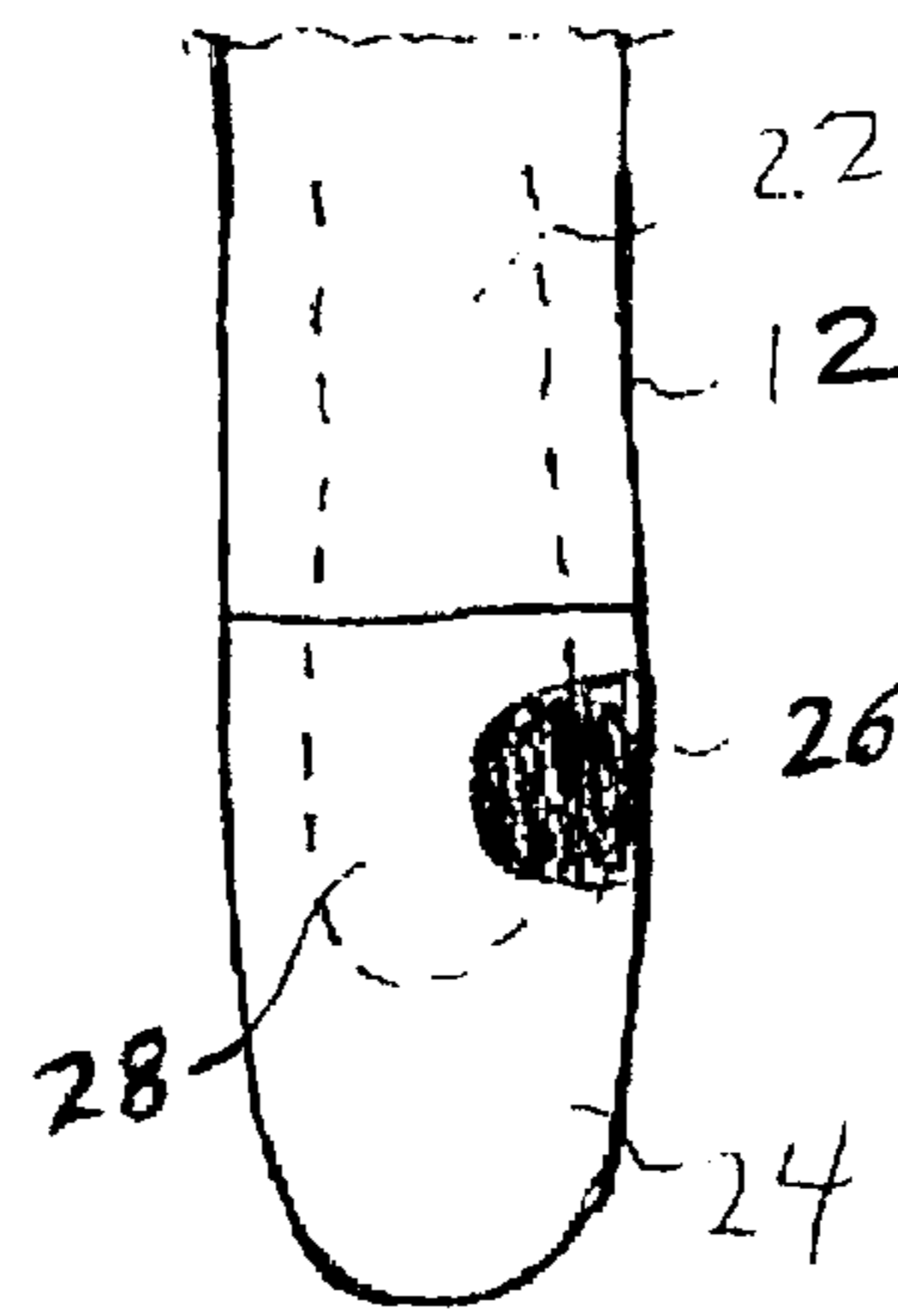


Fig. 3

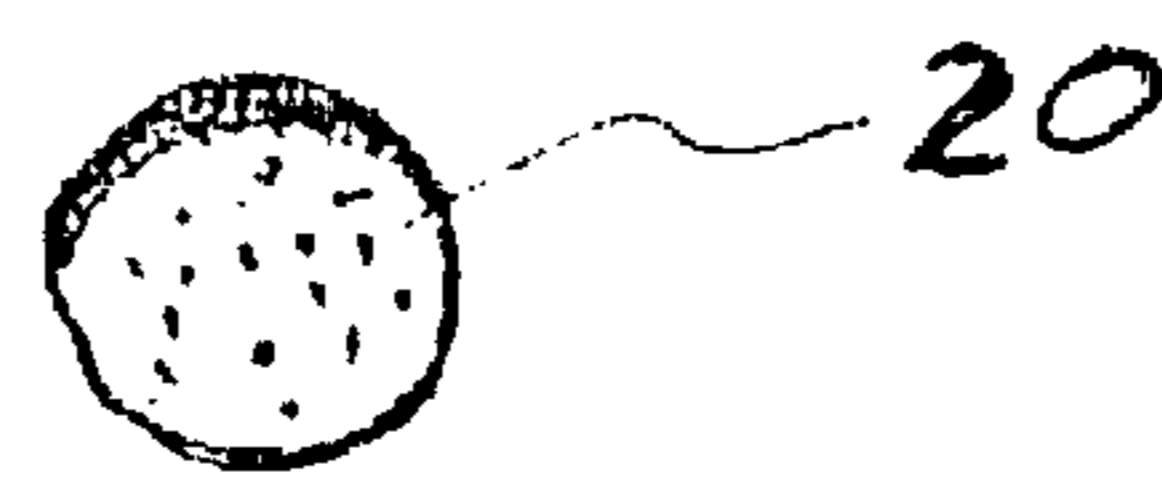


Fig. 4



Fig. 5

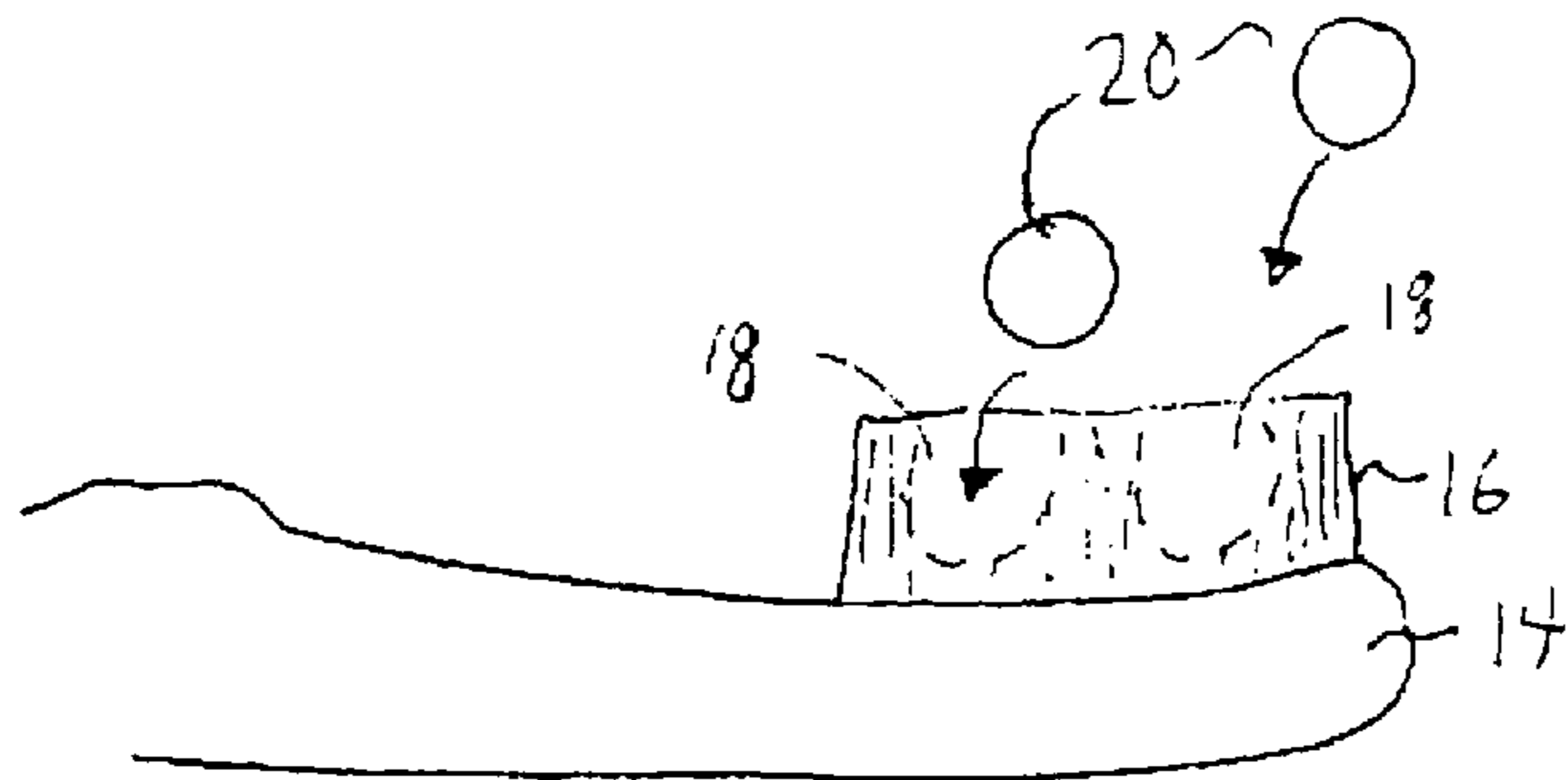


Fig. 6

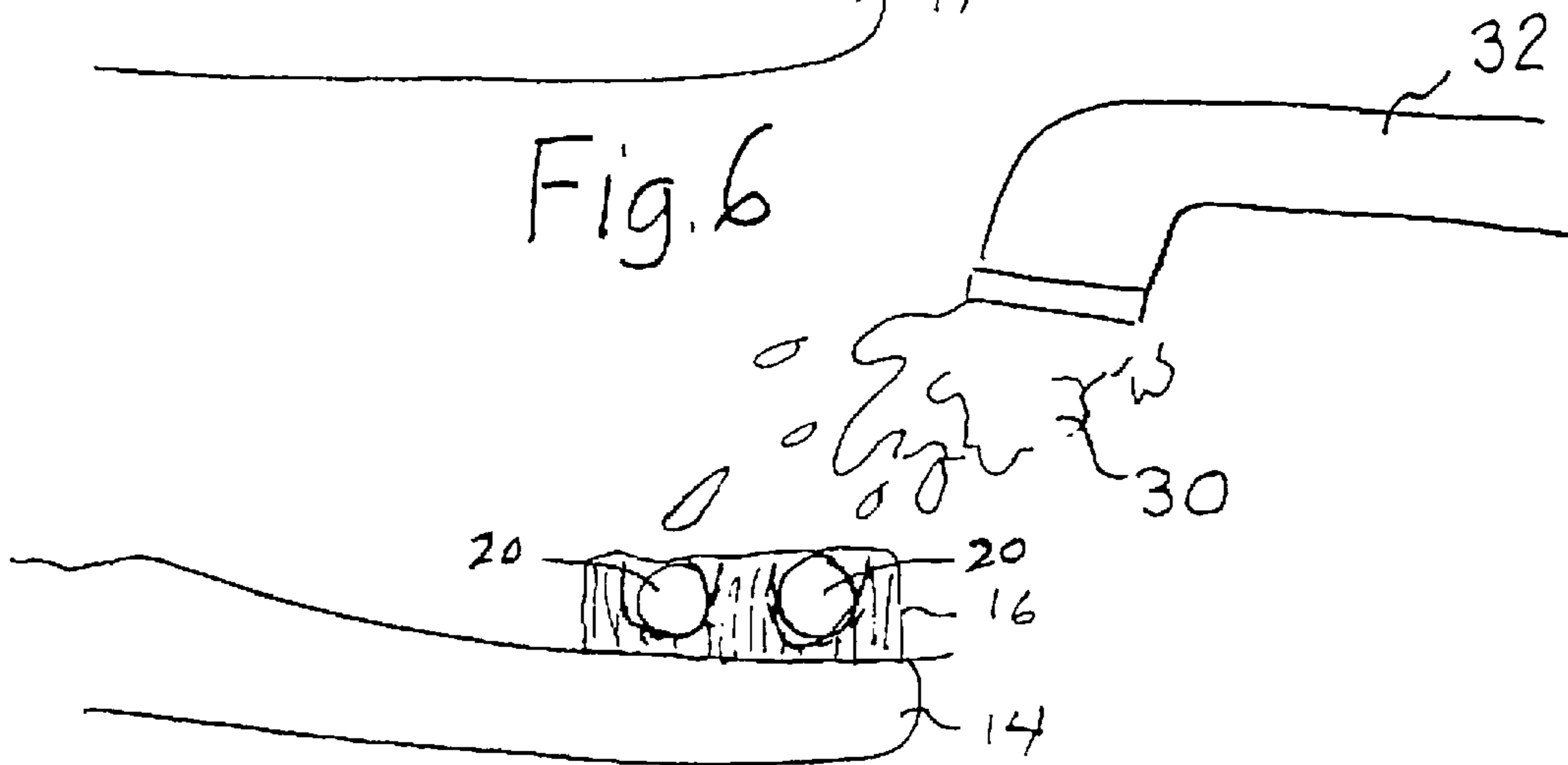


Fig. 7

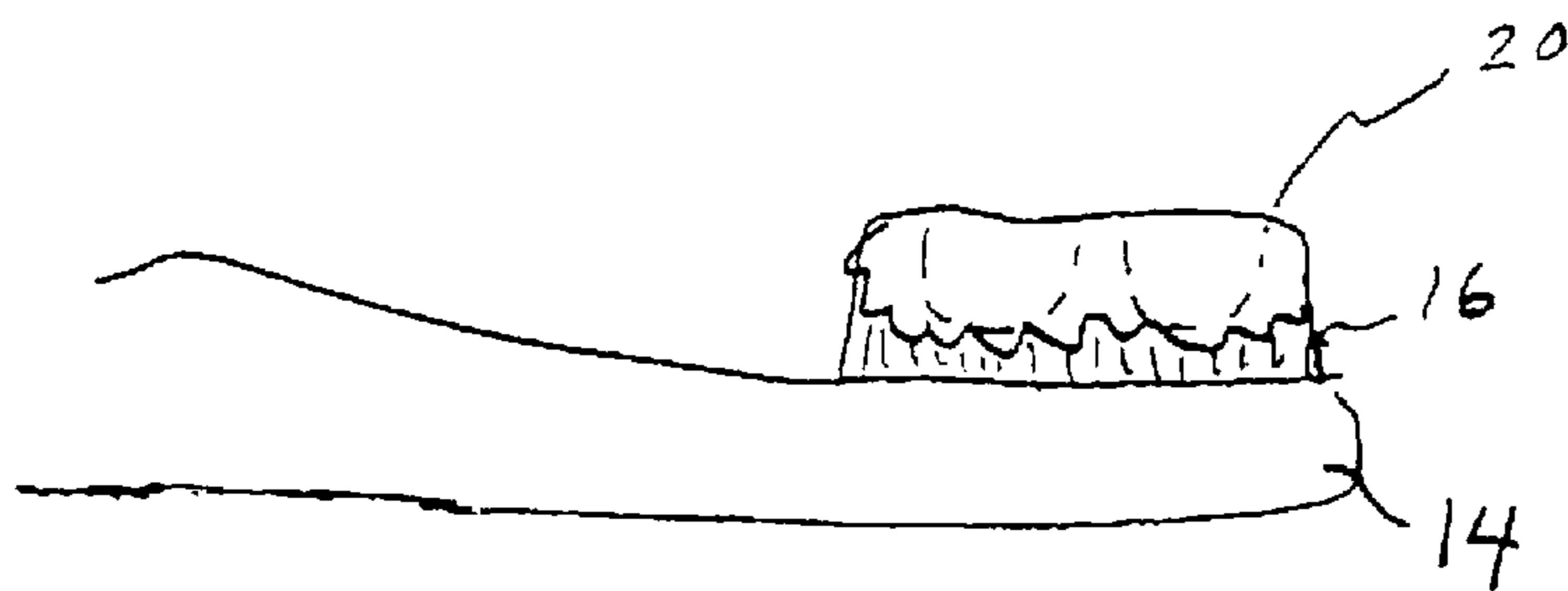


Fig. 8

1**DEHYDRATED DENTIFRICE AND
TOOTHBRUSH****CROSS REFERENCE TO RELATED
APPLICATIONS**

This application is a continuation of U.S. Ser. No. 12/501,857, filed on Jul. 13, 2009, now U.S. Pat. No. 7,931,418, which is a continuation of U.S. Ser. No. 11/818,316, filed on Jun. 14, 2007, now U.S. Pat. No. 7,575,387 that is hereby incorporated by reference, which claims priority of U.S. Provisional Patent Application Ser. No. 60/813,383, filed Jun. 14, 2006.

TECHNICAL FIELD

This invention relates to dental cleaning system and, more particularly, to a dentifrice and a toothbrush adapted to use the dentifrice.

BACKGROUND OF THE INVENTION

Many patents have been issued directed to the use of a dehydrated dentifrice or toothpaste. Among the uses of this dehydrated dentifrice is pre-coating a disposable toothbrush, as in 4963046-Eguchi. and 6715952-Aiken et al. In 5888010-Laux, dried toothpaste is coiled in the handle of a toothbrush and fed onto position atop the bristles.

In addition, many patents have been issued which purport to present implements which make tooth brushing attractive to children to promote regular tooth brushing habits. Such a patent having brush bristles impregnated with edible dehydrated toothpaste is 6004059-Zaccaria. A recent patent—6845883-Pieri provides a specially-packaged strip of individual pre-measured sachets of dentifrice to aid developing children's good brushing habits.

Toothbrushes having a variety of bristle contours, shapes and arrangements have been developed. Among these are those disclosed in 5655249-Li, 5065470-Diamond, and 2043898-Malcolm.

There is a need for a toothbrush and dentifrice combination that makes teeth brushing attractive for children that has pre-measured amounts of dentifrice which does not require special packaging and has a toothbrush that accommodates the pre-measured amounts of dentifrice. There is also a need for a tooth brush and dentifrice combination that is compact for travel, such as camping.

SUMMARY OF THE INVENTION

It is therefore an object of this invention to provide a dental cleaning system comprising a toothbrush and dentifrice combination that makes teeth brushing attractive for children.

It is another object to provide a dental cleaning system that has pre-measured amounts of dentifrice which do not require special packaging and has a toothbrush that accommodates the pre-measured amounts of dentifrice.

It is a further object to provide a dentifrice which is in solid form, for ease of handling, and turns to a gel when wetted for ease of teeth cleaning.

It is a yet further object to provide a tooth brush and dentifrice combination that is compact for travel, such as camping.

In one aspect this invention features a dental cleaning system comprising a toothbrush having one or two half-round pockets in the bristle face. Balls or pellets of solid dehydrated toothpaste having a matching shape are placed in the pockets,

2

the brush is wetted and the pellets turn to a gel—ready for brushing. The pellets may be of various colors and flavors to entice children to brush their teeth and may be dispensed from a reservoir carried in the tooth brush handle.

5 These and other objects and features of this invention will become more readily apparent upon reference to the following detailed description of a preferred embodiment, as illustrated in the accompanying drawings, in which:

BRIEF DESCRIPTION OF THE DRAWINGS

10 FIG. 1 is a side view of a tooth brush according to this invention, partially broken away to enhance understanding of its construction;

15 FIG. 2 is a plan view of a tooth brush according to this invention, partially broken away to enhance understanding of its construction, showing the brush pockets and showing the end cap in open position;

FIG. 3 is a detail view of the end of the tooth brush of FIG. 2, illustrating the end cap in closed position'

20 FIG. 4 is a plan view of a tooth paste pellet according to this invention, shown in solid form;

FIG. 5 is a view of the pellet of FIG. 4 shown in gel form after wetting;

25 FIG. 6 is a detail view of the tooth brush of FIGS. 1 and 2, showing insertion of tooth paste pellets into the brush pockets;

FIG. 7 is a view similar to FIG. 6, showing the pellets in the pockets and the brush being wetted; and

30 FIG. 8 is a view similar to FIG. 7, showing the pellets turned to a gel after wetting.

**DESCRIPTION OF THE PREFERRED
EMBODIMENT**

35 As shown in FIGS. 1 and 2, a tooth brush 10 of this invention has a handle 12 that terminates at one end in a head 14 that mounts a plurality of bristles that form a brush 16 having a face 17 for engaging a person's teeth (not illustrated) for cleaning in a well-known manner. A pair of spaced, generally part-spherical pockets 18 are formed in the brush face, as best seen in FIG. 2, for receiving spherical dentifrice pellets 20, as detailed later.

40 Handle 12 includes a cylindrical storage chamber 22 extending to handle end that rotatably receives an end cap 24. An entry hole 26 is formed in end cap 24, which can be twisted to an open position registering entry hole 26 with a radial entry port 28 that opens into storage chamber 22, as shown in FIG. 2. This allows a number of the dentifrice pellets 50 20 to be loaded into chamber 22, whereupon end cap 24 can be twisted to a closed position, as seen in FIG. 3, with entry hole 26 out of registry with entry port 28, thus confining dentifrice pellets within storage chamber 22, and excluding water therefrom.

55 When a person desires to brush his/her teeth, end cap 24 is twisted to open position and two dentifrice pellets 20 are withdrawn from storage chamber 22 through entry port 28 and entry hole 26. Pellets 20 are in a solid dehydrated form in a spherical shape, as shown in FIG. 4. Other shapes could be used, such as ovoid, rounded square, etc. However since they can roll, this facilitates handling and storage in chamber 22. When wetted, a pellet will hydrate into a flowable gel form shown in FIG. 5.

65 Referring now to FIGS. 6, 7 and 8, tooth brush 10 is then turned to a horizontal position with brush face 17 up, and a dentifrice pellet 20 is placed in each pocket 18. The pellets 20 and brush 16 are wetted with water 30 from a faucet 32,

3

turning the pellets into a flowable gel, as shown in FIG. 8. Tooth brushing then proceeds as normal.

There are several advantages to this arrangement. One is that the correct amount of dentifrice is always used, thus preventing wastage or brushing with too little dentifrice to be effective. Another is that dentifrice is always handy, since it is carried in the tooth brush handle. A further advantage is that dentifrice pellets can be selectively colored and/or flavored by the manufacturer. This provides a vast variety of different flavors and colors that can be used alternately, making brushing a fun event for children and promoting better dental hygiene. A yet further advantage is that it is ideal for travel, especially camping, since a separate tube or canister of dentifrice need not be packed, conserving weight and space.

Although only a preferred embodiment has been described and shown, obvious modifications are contemplated within the scope of this invention and appended claims. For example, the pellets and brush pockets could have different shapes or they both could have the same different (from part-spherical) shape. Also, the end cap could be longitudinally slidable on the handle end, rather than rotatable.

I claim:

1. A dental cleaning system comprising a toothbrush having a handle with first and second ends, with a plurality of upstanding bristles extending from the area of the first end in generally parallel fashion that have distal ends forming a brush surface adapted to engage a person's teeth for cleaning, a pocket formed in the brush surface, an elongated hollow storage chamber enclosed within the handle for storing dentifrice pellets, a number of dentifrice pellets shaped for reception in said pocket for wetting and teeth cleaning loaded within said chamber, and means at the second handle end for selectively dispensing said dentifrice, wherein said hollow storage chamber in the handle has an entry port, and the dispensing means comprises a cap movably carried by the

4

second handle end and having an entry hole that is movable into and out of registry with the entry port.

2. The dental cleaning system of claim 1, wherein said hollow storage chamber in the handle internal cross section is cylindrical in shape.

3. The dental cleaning system of claim 1, wherein said dentifrice pellets can be selectively colored and/or flavored.

4. The dental cleaning system of claim 1, wherein the dentifrice pellets have an initial solid form, for ease of handling, until wetted, whereupon the dentifrice pellets become a flowable gel.

5. The dental cleaning system of claim 1, wherein said dentifrice pellets are spherical in shape.

6. The dental cleaning system of claim 1, wherein a second pocket is formed in the brush surface for receiving a second pellet.

7. The dental cleaning system of claim 1, wherein the cap is longitudinally slidable on the handle second end.

8. The dental cleaning system of claim 1, wherein the cap is rotatable on said hollow handle second end.

9. The dental cleaning system of claim 8, wherein said hollow storage chamber in the handle internal cross section is cylindrical in shape.

10. The dental cleaning system of claim 8, wherein said dentifrice can be selectively colored and/or flavored.

11. The dental cleaning system of claim 8, wherein the dentifrice pellets have an initial solid form, for ease of handling, until wetted, whereupon the dentifrice pellets become a flowable gel.

12. The dental cleaning system of claim 8, wherein said dentifrice pellets are spherical in shape.

13. The dental cleaning system of claim 8, wherein a second pocket is formed in the brush surface for receiving a second pellet.

* * * * *